

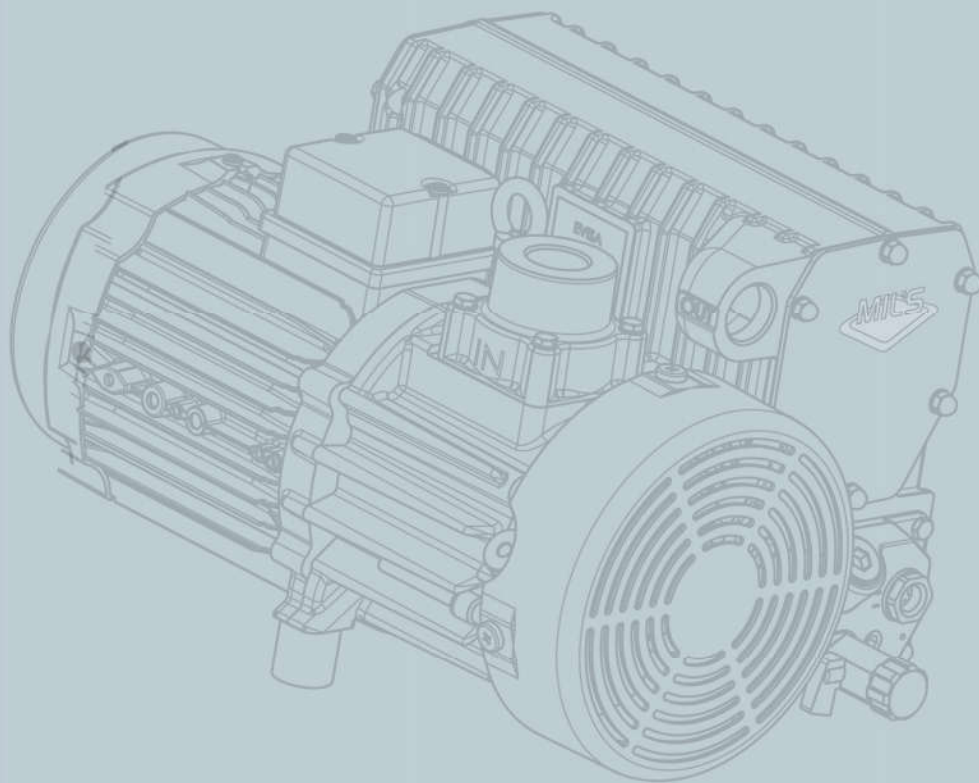
Industry • Healthcare

VACUUM PUMPS

industry & healthcare

MIL'S

Vacuum pumps



Since 1926



Réf 520805-00 GB 01/2019





EVISA E40.R



The lubricated rotary vane pumps EVISA are designed to be used in a wide range of industrial and healthcare applications.

They can run continuously from atmospheric pressure to ultimate vacuum.

They are silent and extremely robust.

- Single stage vacuum pump with the end vacuum of $6 \cdot 10^{-2}$ mbar
- Compactness and noise level optimized for an easy integration in machines
- High water vapor pumping capacity with finely adjustable gas ballast
- Designed for light onsite maintenance without piping disconnection
- Integrated oil mist filter on the exhaust

Technical characteristics

		50 Hz	60 Hz	
E40.R HV	Nominal flow rate $m^3 \cdot h^{-1} - cfm$	44 - 25,9	53 - 31,2	
	PNEUROP pumping speed ⁽¹⁾ $m^3 \cdot h^{-1} - cfm$	42 - 24,7	50 - 29,4	
	Pumping speed at 1 mbar inlet pressure ⁽¹⁾ $m^3 \cdot h^{-1} - cfm$	30 - 17,6	34 - 20	
	Without gas ballast	End vacuum mbar - torr	$\leq 6 \cdot 10^{-2} - 4,5 \cdot 10^{-2}$	$\leq 6 \cdot 10^{-2} - 4,5 \cdot 10^{-2}$
		End vacuum mbar - torr	$\leq 6 \cdot 10^{-1} - 4,5 \cdot 10^{-1}$	$\leq 6 \cdot 10^{-1} - 4,5 \cdot 10^{-1}$
	Opened gas ballast 1,5 rotation	Water vapor permitted maximum pressure mbar - torr	13,6 - 10,2	18,4 - 13,8
		Water vapor capacity $kg \cdot h^{-1}$	0,34	0,53
	Fully opened gas ballast	End vacuum mbar - torr	$\leq 6 - 4,5$	$\leq 6 - 4,5$
		Water vapor permitted maximum pressure mbar - torr	143 - 107	326 - 244
		Water vapor capacity $kg \cdot h^{-1}$	3,7	10,6
E40.R	Without gas ballast	End vacuum mbar - torr	$\leq 2 - 1,5$	$\leq 2 - 1,5$
	Fully opened gas ballast	End vacuum mbar - torr	$\leq 3 - 2,2$	$\leq 3 - 2,2$
		Water vapor permitted maximum pressure mbar - torr	107 - 80	233 - 174
		Water vapor capacity $kg \cdot h^{-1}$	2,7	7,5
	100 % synthetic oil	MV99S	MV99S	
	Oil capacity l - qt	1 - 1,1	1 - 1,1	
	Noise level dB(A)	58	60	

⁽¹⁾ Measurements according to PNEUROP 6602 specifications - 20°C

Versions

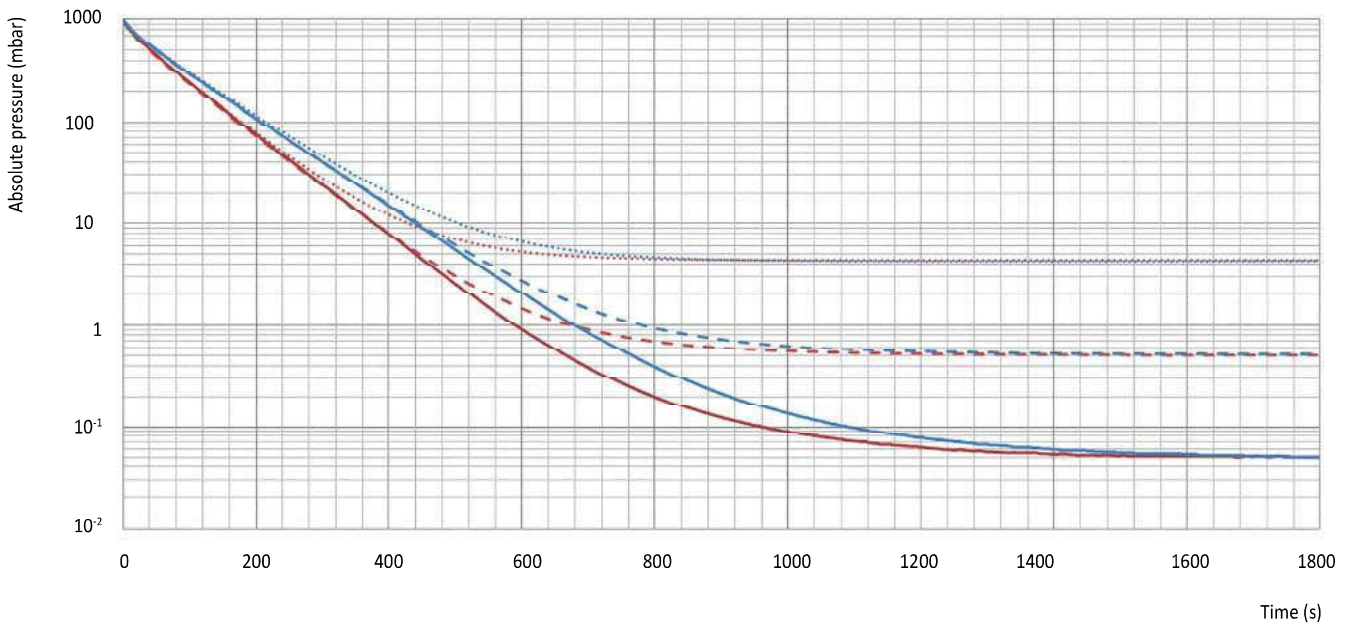
GEOGRAPHIC		EUROPE		ASIA MIDDLE-EAST	SOUTH AMERICA	USA	JAPAN
Electrical motor	Number of phases	1	3	3	3	3	3
	Voltage V	230	230 / 400	220 / 380	190 / 380	208-230/460	200 / 380
	Period Hz	50	50	50 / 60	50	60	50/ 60
	Motor power	1,10 kW	1,10 kW	1,10 / 1,32 kW	1,10 kW	2 HP	1,10 / 1,32 kW
	Rotation speed min^{-1}	1500	1500	1500/1800	1500	1800	1500/1800
Inlet connection ⁽²⁾		1" BSP	1" BSP	1" BSP	1" NPT	1" NPT	1" BSP
Outlet connection ⁽³⁾		1" BSP	1" BSP	1" BSP	1" NPT	1" NPT	1" BSP
Weight with oil kg - lb		35,5 - 78,3	34,3 - 75,6	34,3 - 75,6	35 - 77,2	35 - 77,2	35 - 77,2

⁽²⁾ DN 40 ISO-KF adaptation flange can be supplied, see accessories

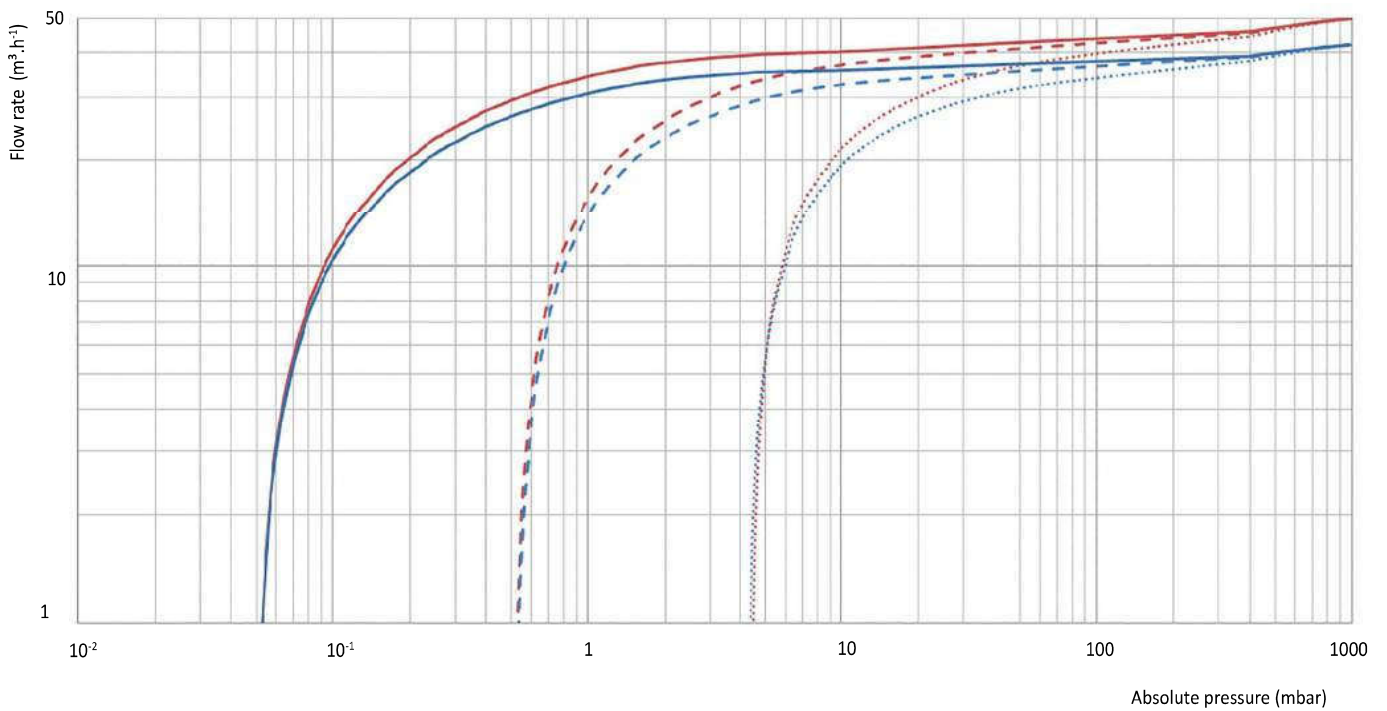
⁽³⁾ DN 25 ISO-KF connector can be supplied, see accessories

Lubricated rotary vane vacuum pumps

Pumping speed on 1000 l vessel



Performance curves



- 60 Hz - Without gas ballast
 - - - 60 Hz - opened gas ballast 1,5 rotation
 ... 60 Hz - Fully opened gas ballast
- 50 Hz - Without gas ballast
 - - - 50 Hz - opened gas ballast 1,5 rotation
 ... 50 Hz - Fully opened gas ballast