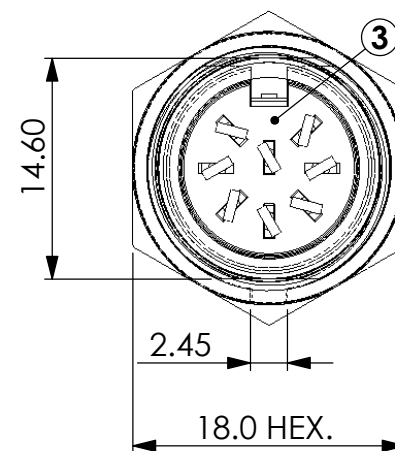
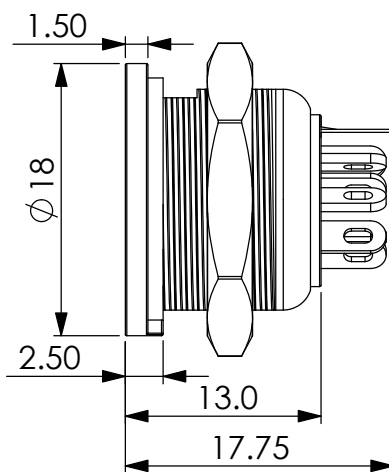


Through Hole Dimension



Specifications
rating :

100V AC 4A MAX
contact resistance :
pins-30mΩ MAX; shell-50mΩ MAX
insulation resistance :
MIN 100 MEGΩ @500V DC
voltage withstand :
250V AC R.M.S. for 1 minute

No.	Description	Material	Treat	Q'ty
1	Shield Cover	Zn Alloy	Nickel Ptd.	1
2	Negative Contact	Copper	Nickel Ptd.	1
3	8P 270 HOUSING	ABS		1
4	Terminals	Brass	Silver Ptd.	8
5	SCREW NUT	Brass	Nickel Ptd.	1

品名: ITEM :	8P270 DIN SOCKET PANEL SCREW MOUNT			一般公差 .X +/-0.25 .XX +/-0.10	SHEET: <table border="1"><tr><td>1</td></tr><tr><td>1</td></tr></table>	1	1	單位: unit:	mm	日期: date:	'08/03/08	繪圖: drwn by:	DanielShyr
	1												
1													
料號: PART NO.	490995	圖號: DRW NO.		比例: scale:	2 : 1	版本: version:	V. 1.0	核准: aprVld by:	SkyShyr				