

Features

- Rated currents 4A
- Quick connect (6.3*0.8mm)
- There are a variety of parts and combinations to meet different customer's EMC tests
- Customized products according to customer's requirements

RS PRO EMI FILTER

RS Stock No.:2378661, 2378662



RS PRO Professionally Approved Products bring to you professional quality parts across all product categories. Our product range has been tested by engineers and provides a comparable quality to the leading brands without paying a premium price.

Product Description

- Portable electrical and electronic equipment
- Single-phase power supply , switch-mode power supply
- Medical equipment
- Small and medium-sized machines and household equipment etc

General Specifications

Available with fuse holder for two (5*20mm) fuses
 (R5) types comply with the requirements of IEC/EN60601-1 for safety clearance, leakagecurrent and hipot testing.
 There are a variety of parts and combinations to meet different customer's EMC tests.
 Customized products according to customer's requirements

Mechanical Specifications

Size	60X28X32.5mm (L X W X H)
Weight	0.052kgs

Electrical Specifications

FUHYX'Jc`HU[Y'A UI "	115/&) \$J 57
CdYfUH]b[`ZYei YbWri	50/60Hz
FUHYX WffYbHg'	(5
<]dchFUH]b[`	@B) 0\$J 87 , @#B!; `&&) \$J 87

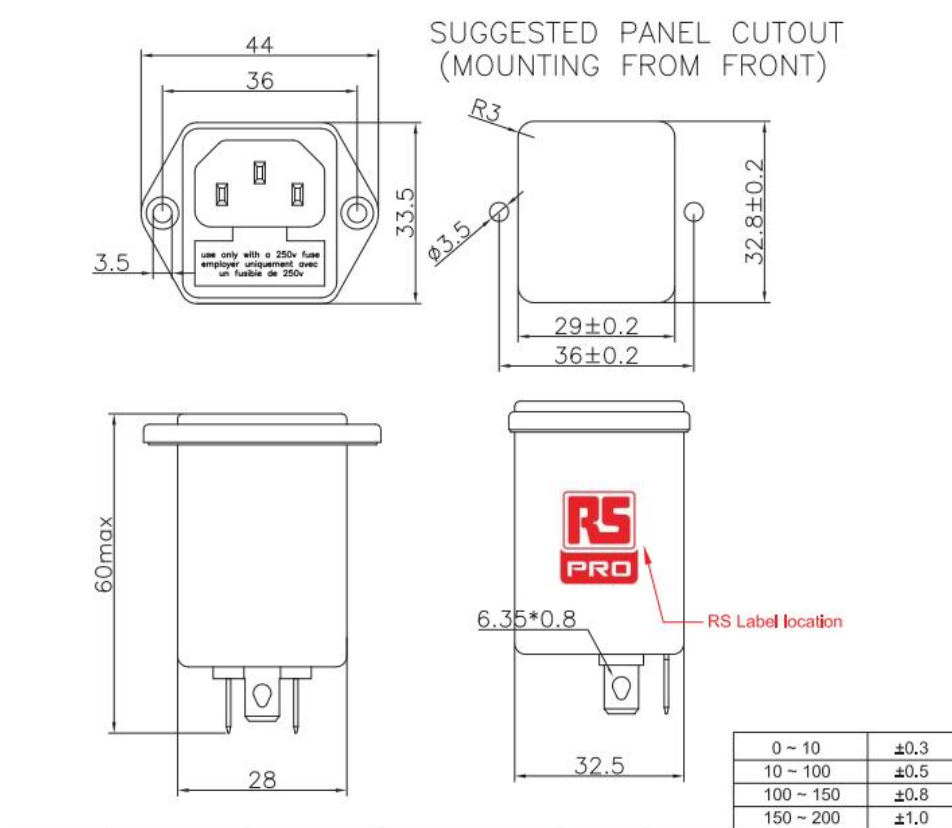
Protection Category

according to IEC 60529	IP40
------------------------	------

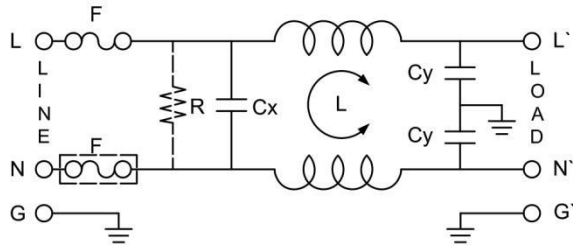
Approvals

Declarations	UL;TUV;CQC;CE
Standards Met	UL1283, CSA C22.2 No.8; IEC/EN 60939; CQC GB 15288/GB 15287-2008

Physical Dimensions



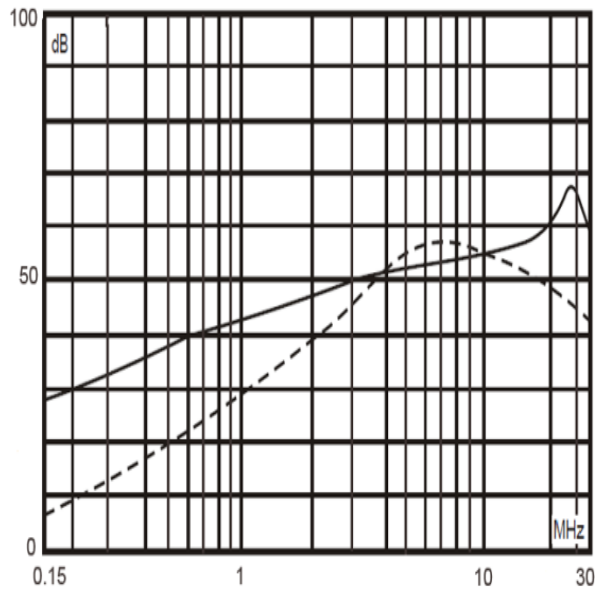
Electrical Schematic



Insertion loss table (In 50ohm system according IEC/CISPR No.17)

— Common mode - - - - - Differential mode

4A



Packaging

