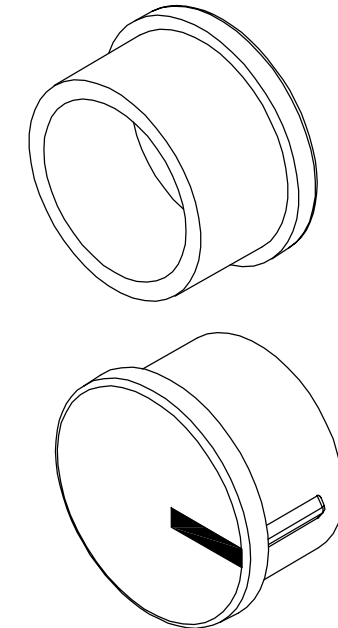
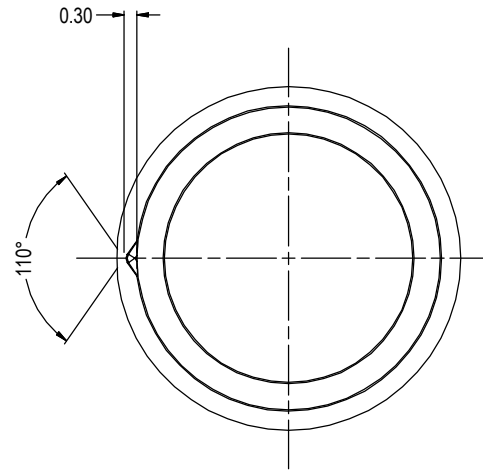
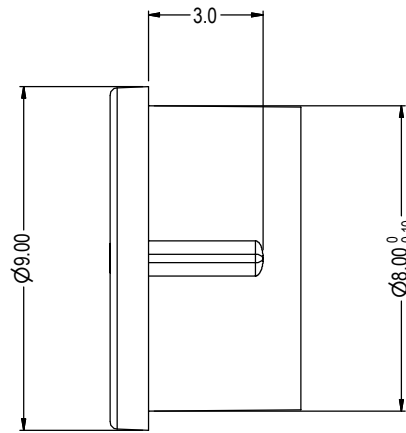
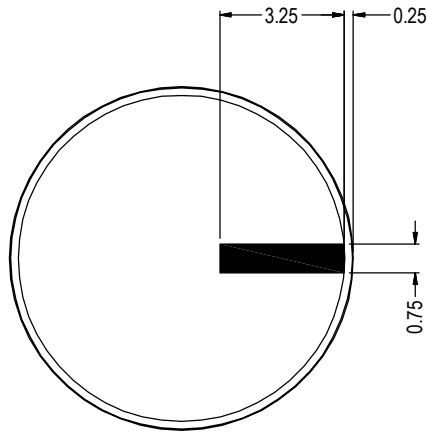
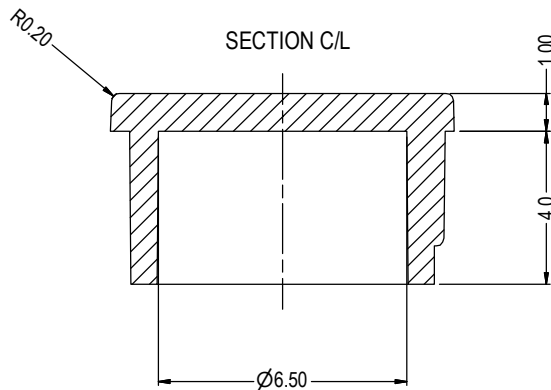


ISS.	AMEND	DATE
1	1st DRAWN	18/10/06
2	VARIANTS ADD+AMEND	20/09/12
3	ADD CL1709761+62	02/09/14
4	DARK GREY ADDED	01/07/15



VIEW SHOWING  
PRINT SIZE & POSITION



CAP COLOUR	PLAIN - NO ML PART NUMBER	WITH ML PART NUMBER	PRINTED MARKER LINE COLOUR
BLACK	7296223,1722303	CL177901A	WHITE

**NOTES:-**

1. THIS DRAWING REPLACES 03.05.0013

**RoHS**  
COMPLIANT

**TOLERANCE**  
 NO DEC. PLACE ± 0.50  
 1 DEC. PLACE ± 0.20  
 2 DEC. PLACE ± 0.10  
 HOLE Ø ± 0.10  
 ANGLES ± 1/2°  
 UNLESS OTHERWISE STATED

DO NOT SCALE



DIMENSIONS IN MILLIMETERS UNLESS OTHERWISE STATED. WORK TO DIMENSIONS. REMOVE ALL BURRS. IF IN DOUBT ASK.

3rd ANGLE PROJECTION:

MATERIAL: ABS  
 FINISH: SPARK ERODED VARIOUS COLOURS  
 DRAWN: N.J.B. APPROVED: D.P.J.

TITLE: K85A CAP (ALL VARIANTS)

DRWG. No. 7296223 1722303

FORM: A4DRWGH