

FEATURES

- The supply voltage ranging from 12VAC to 230VAC and 12VDC to 230VDC
- 2C/O DPDT contact configuration with relay output is 8A
- 7 selectable time
- Switch initiated functions
- Fine adjustment of selected time range
- LED warning indication if function is changed whilst powered
- Switch initiated functions are ideal

RS PRO DPDT Time Delay Relay -, DIN Rail

RS Stock No.: 102-6123



RS Professionally Approved Products bring to you professional quality parts across all product categories. Our product range has been tested by engineers and provides a comparable quality to the leading brands without paying a premium price.

Product Description

The RS PRO multi-function timer relay is a compact digital equipment with high precision and accuracy to suit a wide variety of applications. It performs the function of providing supply initiated On delay, supply initiated interval, supply initiated symmetrical Off/On flasher, switch initiated On delay, switch initiated Off delay, switch initiated interval (Trailing) and switch initiated interval (leading) in the range between 0.1 seconds to 100 hours. This can be installed into new and existing applications without much hassle. It has two rotary switches at the front of the unit to set the timing range.

General Specifications

Contact Configuration	DPDT
Number of Timer Functions	Multi-function, Multi-voltage Timer
Time Range	7 Selectable time ranges (0.1 seconds – 100 hours)
Time Delay	100ms
Reset Time	<100ms
Accuracy	± 1% of maximum full scale
Adjustment Accuracy	< 5% of maximum full scale
Repeat Accuracy	± 0.5% at constant conditions
Power on indication / Timing	Green LED
Relay Status	Red LED
Housing	Orange flame retardant
Applications	Textiles, Chemical industry, Mining, Irrigation, Raw material handling, Food and beverages, Industrial process control

Timing Ranges (7):		
Seconds	Minutes	Hours
0.1 – 1	0.1 – 1	0.1 – 1
1 – 10	1 – 10	1 – 10
		10 – 100

Electrical Specifications

Supply Voltage	230VAC; 12 to 230VAC/DC
Minimum Voltage	12VAC/DC
Maximum Voltage	230VAC/DC
Frequency Range	48Hz to 63Hz (AC supplies)
Relay Output	2C/O DPDT contact configuration with relay output is 8A
Terminal Type	Screw
Terminal Conductor Size	≤ 2 x 2.5mm ² solid or stranded
Supply Variation	+/- 15%
Overvoltage category	III (IEC 60664)
Rated Impulse Withstand Voltage	4kV (1.2/50μS)
Dielectric Voltage	2kV AC (rms)
Drift with Voltage	±0.2%/V
Electrical Life	≥150,000 ops at rated load

Power Consumption (Maximum):

Voltage	12V	24V	110V	230V
AC	0.6VA	0.8VA	2.6VA	6.8VA
DC	0.52VA	0.48VA	0.94VA	1.9VA

Mechanical Specifications

Mounting Type	DIN-Rail
Width	17.5mm
Length	89mm
Weight	70g

Operation Environment Specifications

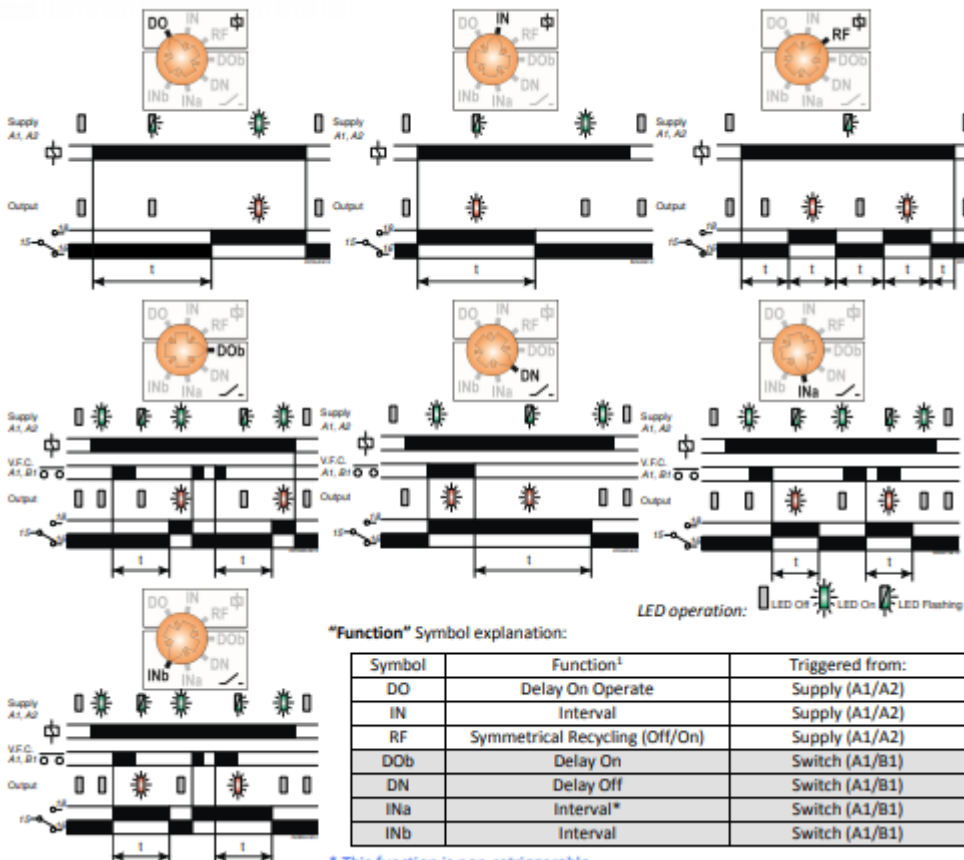
Maximum Operating Temperature	60°C
Minimum Operating Temperature	-20°C
Drift with temperature	± 0.05% / °C
Relative Humidity	+95%

Approvals

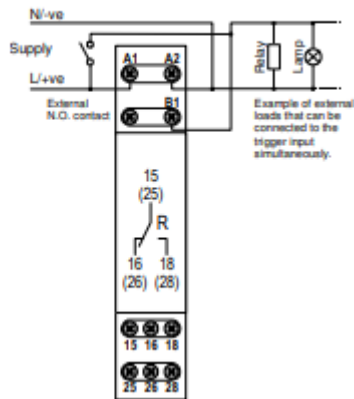
Compliance/Certifications	CE, UL
Standards Met	UL approved, cULus approved, IEC 61812, CE certified, C-tick certified, EN 61000-6-2, EN 61000-4-3, EN 61000-6-4, IEC 60947-1, IEC 60664



FUNCTION DIAGRAMS

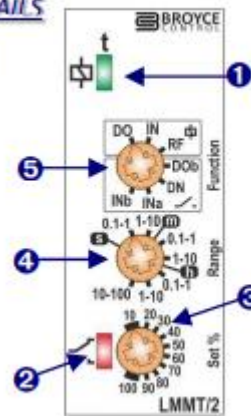


• CONNECTION DIAGRAM



• SETTING DETAILS

1. Power supply status / Timing (Green) LED
2. Relay output status (Red) LED
3. "Set %" adjustment
4. Time delay "Range" selector
5. Timing "Function" selector



• DIMENSIONS

