

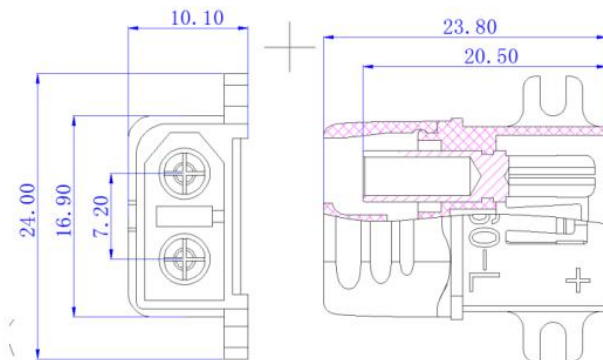


## Datasheet

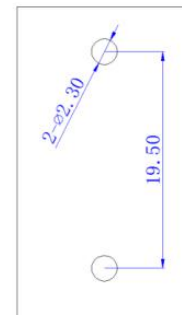
# RS PRO XT60L Male Connector

Stock number: 180-5370

EN



Section



Installation hole diagram

## Material & Parameter

Recommend USE :Charger/controller

Color: Yellow

Metal Material: Brass Gold Plated

Plastic Material: PA

FR Level: UL94 V0

Cable Spec: 12AWG

Certification: UL

Contact Resistance: 0.50mΩ

Rated Voltage: DC 500V

Rated Current: 30A

Momentary Current: 60A

Use Times: 1000 TIMES

Use Temperature: -20°C to 120°C

**Remark:** Data sheet will change according with the test background