

Datasheet

RS PRO 110 TYPE NON-INSULATED FEMALE DISCONNECTORS (LOOSE TYPE)

Stock number: 488-1257

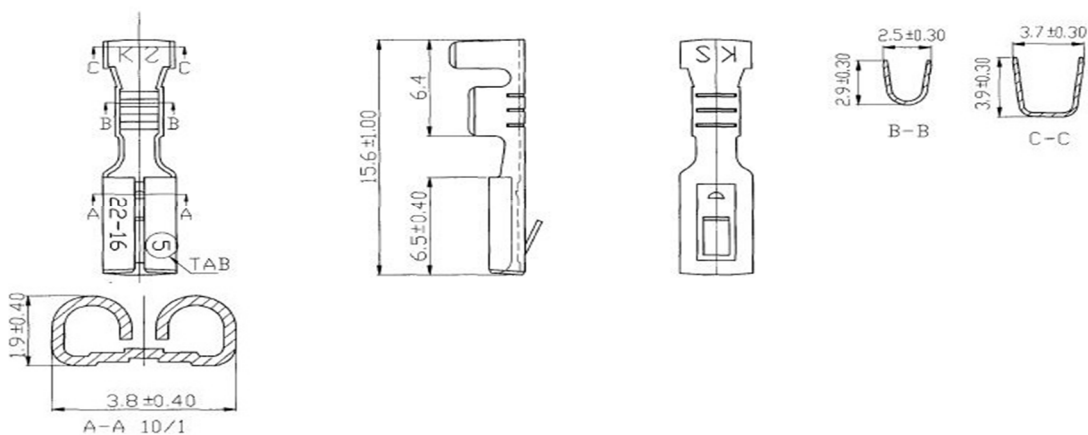
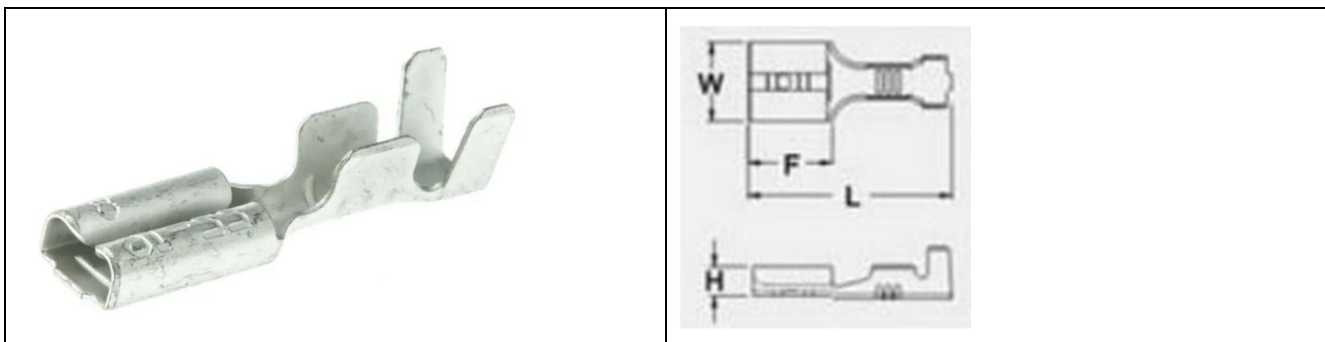
MAXIMUM ELECTRIC CURRENT:

A.W.G.	22	20	18	16
AMP.	9	12	17	18

TERMINAL MATERIAL: BRASS

TERMINAL SURFACE TREATMENT: TIN PLATED

THICKNESS: 0.25MM



WIRE RANGE A.W.G. mm ²	ITEM NO.	NEMA TAB	DIMENSION (mm)					FIG	MATERIAL	PLATINGS
			W	F	L	H	T			
22-16 A.W.G. 0.3-1.4 mm ²	☐ 488-1257	.110 x .0320 (2.8 x 0.8)	3.8 0	6.5 0	15.6 0	1.9 0	0.25 0	3	Brass	Tin