

Datasheet

RS PRO M12 Female Straight 5 Pin Connector

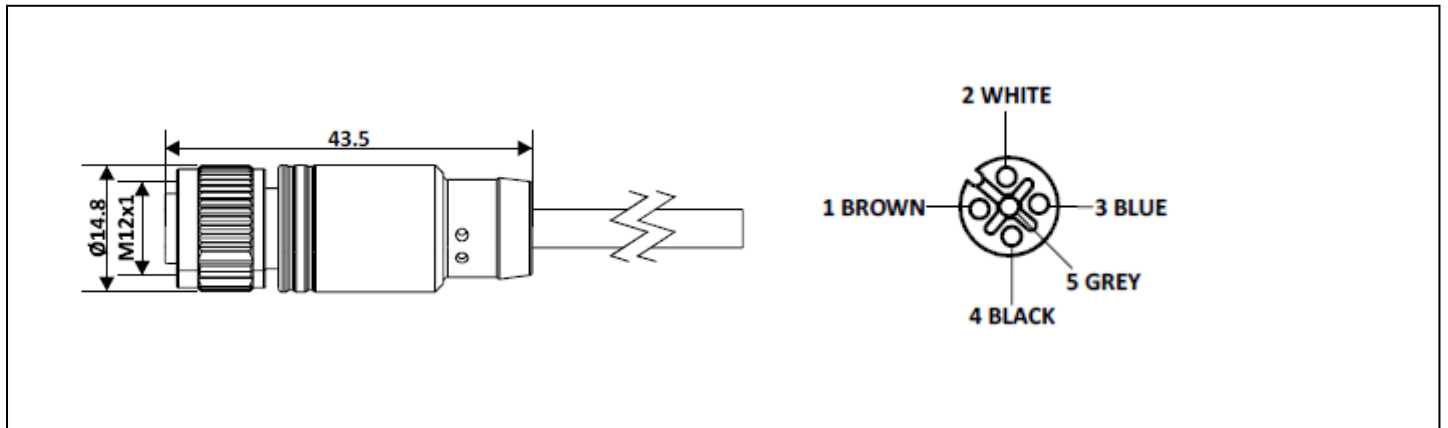
Part No: 2017100


Technical Specifications:

Rated Operational Voltage	60 V
Current Rating	4 A
Insulation Resistance	≥100 MΩ
Temperature Range	-25° ... +75°C
Coding	A-Coded
Degree of Protection	IP67
Grip Material	PU
Contact	Cu-Zn
Contact Plating	Gold Flash
Contact Carrier	Nylon 66
O-ring	Neoprene
Coupling Nut	Brass Nickel-Plated
Grip Colour	Black

Cable Specifications:

Cable Length-L	10 m
Cable Type	5 Core PVC Multi Strand
Sheath Colour	Black
Cross Section of Wire	0.34 sq. mm
Core Dia	1.3 mm
Cable Dia	5.5 ± 0.1 mm
Termination	Partially Stripped



Quality Standard: IEC 61076-2-101

