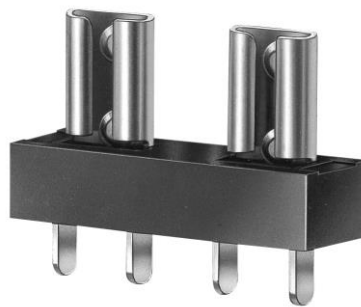


Datasheet

RS Pro Fuse Blade, For Mini Blade Auto Fuse Block

Stock No: 1884477,1884617

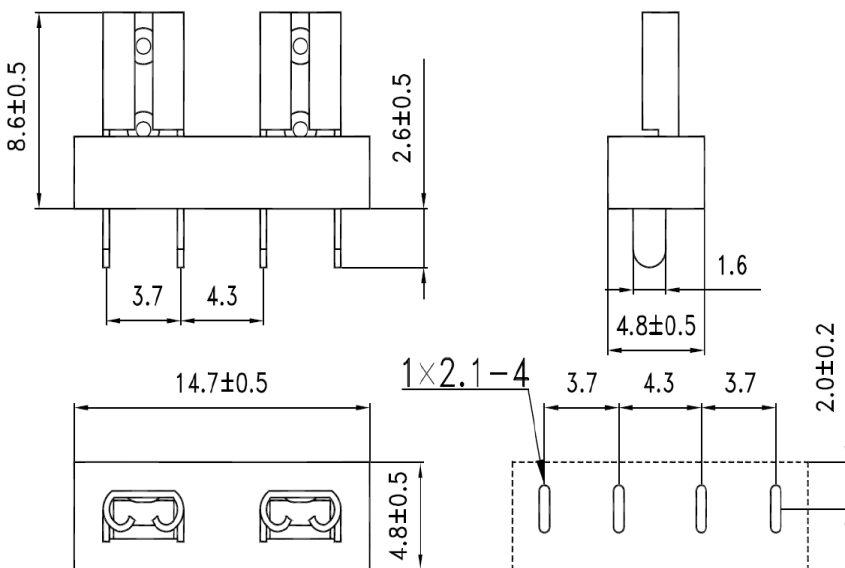


Specifications:

Materials

Nylon · Tin Plated Brass

Drawing (mm):



Tolerance : ±0.2



ENGLISH

Electrical Characteristic:

Rated Current / Voltage : 20A / 250V ◦
Dielectric Strength : AC 500V Min(60 Seconds).
Insulation Resistance : 100M Ω Min (at 500V DC).
Temperature Rise : 50°C Max (Using a shorting bar test)
Voltage Drop : 20mV Max.
Insulation body : Flame retarding UL 94 V-0.

Reference:

Stock No	Rating amperes
1884477	20A 250V
1884617	20A 250V