



### Main

Range of product	Harmony XVG
Product or component type	Complete pre-wired monolithic tower light
Beacon or indicator bank unit type	2 illuminated units
Material	PC (UL94 V-2): globe ABS (UL94HB): tube body Aluminium: tube
Mounting diameter	60 mm
Component name	XVG
Device mounting	Base mounting
Light source	LED steady red LED steady green
Light block color	Red/green
Indicator bank base type	Base with integrated buzzer

### Complementary

Rated supply voltage	24 V AC/DC
Cable cross section	0.33 mm <sup>2</sup>
Discrete output type	PNP and NPN
[Uimp] rated impulse withstand voltage	0.5 kV
Current consumption	140 mA
Noise level	85 dB
Power consumption in W	3.1 W
Fundamental frequency	2.64 kHz
Net weight	0.21 kg

### Environment

Product certifications	CE[RETURN]EAC
Ambient air temperature for storage	-35...70 °C
Ambient air temperature for operation	-10...50 °C
IP degree of protection	IP42

### Packing Units

Unit Type of Package 1	PCE
Number of Units in Package 1	1
Package 1 Height	31.0 cm
Package 1 Width	8.5 cm
Package 1 Length	7.5 cm
Package 1 Weight	317.0 g
Unit Type of Package 2	S04
Number of Units in Package 2	21
Package 2 Height	30 cm
Package 2 Width	40 cm
Package 2 Length	60 cm
Package 2 Weight	7.767 kg

Unit Type of Package 3	P06
Number of Units in Package 3	84
Package 3 Height	75 cm
Package 3 Width	60 cm
Package 3 Length	80 cm
Package 3 Weight	39 kg

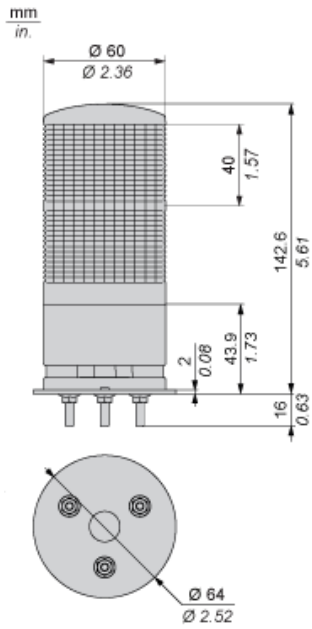
### Offer Sustainability

Sustainable offer status	Green Premium product
REACH Regulation	<a href="#">REACH Declaration</a>
EU RoHS Directive	Pro-active compliance (Product out of EU RoHS legal scope)
Mercury free	Yes
China RoHS Regulation	<a href="#">China RoHS Declaration</a>
RoHS exemption information	<a href="#">Yes</a>
Environmental Disclosure	<a href="#">Product Environmental Profile</a>
Circularity Profile	<a href="#">End Of Life Information</a>

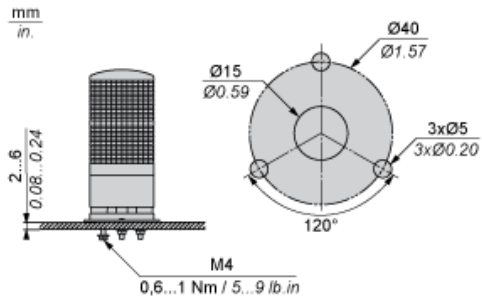
### Contractual warranty

Warranty	18 months
----------	-----------

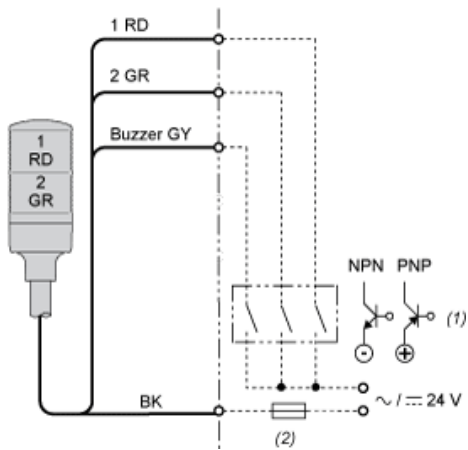
## Dimensions



## Mounting



## Wiring



(1) "ON" for lighting and/or applying continuous sound.

(2) Fuse (rated current: 0.5 A)

RD : Red

GR : Green

GY : Grey

BK : Black