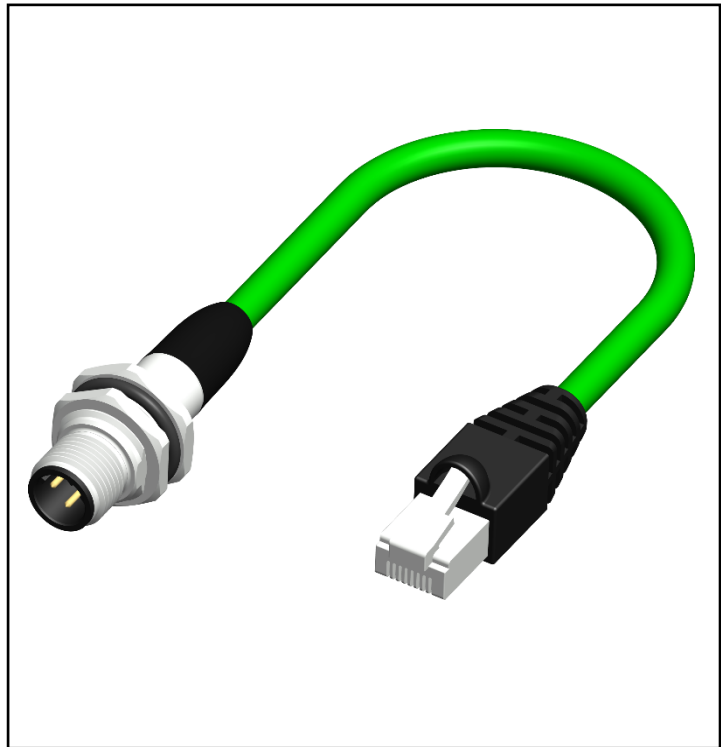


FEATURES

- IP67 rated
- Insulation Resistance \geq 100 M Ω
- Brass nickel plated coupling nut

RS PRO M12 MALE REAR PANEL MOUNT TO RJ45 4 PIN SHIELDED 0.5m GREEN PVC CAT5 CABLE

RS Stock No.: 2500713



RS Professionally Approved Products bring to you professional quality parts across all product categories. Our product range has been tested by engineers and provides a comparable quality to the leading brands without paying a premium price.

Product Description ATTRIBUTE 1

M12 to Ethernet Network Cable Assemblies

A comprehensive range of shielded M12 Ethernet connector cable assemblies, featuring M12 to RJ45 connectors in halogen free shielded light blue cable, and M12 to open ended cables all in varying lengths to suit application.

Features and Benefits:

- IP67 rated
- Brass nickel plated coupling nut
- Insulation Resistance $\geq 100 \text{ M}\Omega$

General Specifications

Rated Operational Voltage	60 V
Current Rating	1.5A
Insulation Resistance	$\geq 100 \text{ M}\Omega$
Temperature Range	-25°C ... +85°C
Coding	D-Coded
Shield	Yes

Material Specifications

	M12	RJ45
Grip Material	Brass Ni Plated	PBT
Contact	Cu-Zn	Phosphor Bronze
Contact Plating	Gold Flash	Gold Flash
Contact Carrier	Nylon 66	PBT
O-Ring	Neoprene	
Grip Color		Black
Pole	4	
Coupling Nut	M16 x 1.5	

Cable Specifications

Cable Length-L	0.5 m
Cable Type	Cat5e (2 x 2 Twisted Pair) PVC Shielded

RS PRO M12 MALE TO RJ45 CONNECTOR



Sheath Color	Green
Cross Section of Wire	AWG 22
Cable Dia	6.5 ± 0.2 mm
Core Insulation	PE
Termination	RJ45
Transfer Parameters	CAT5e
Transfer Rate	up to 100 Mbit/s
Shielding Details	Braiding 75% Approx.

Protection Category

Degree of Protection	IP67 (M12) – IP20 (RJ45)
----------------------	--------------------------

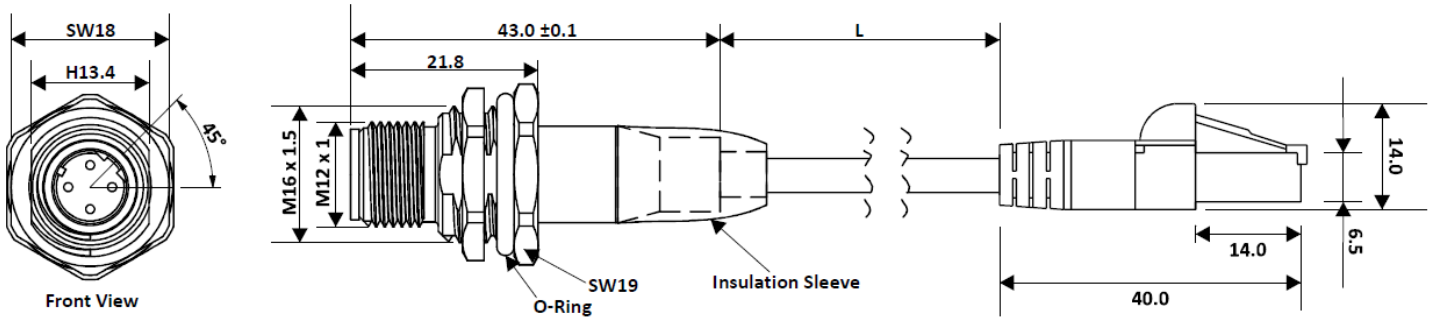
Additional Information

Custom Tariff Number	85369090
----------------------	----------

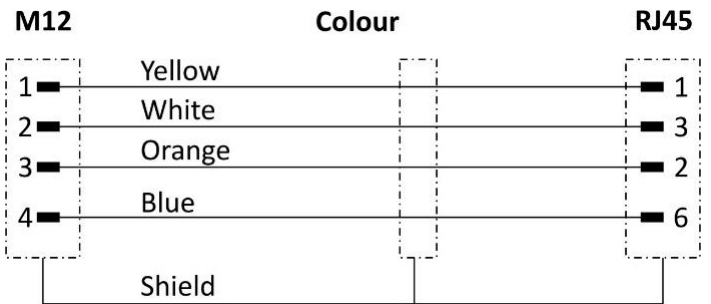
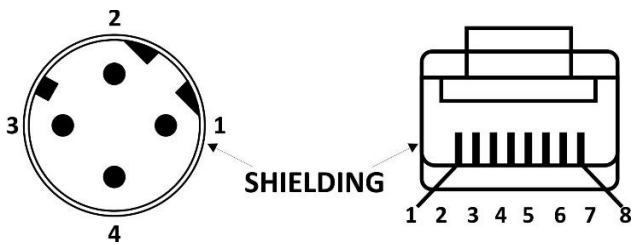
Approvals

Standards Met	IEC 61076-2-101 (M12)
---------------	-----------------------

Connection Diagrams / Assembly Diagrams / Illustrations / Accessories



All Dimensions are in mm.



Panel Cutout

