

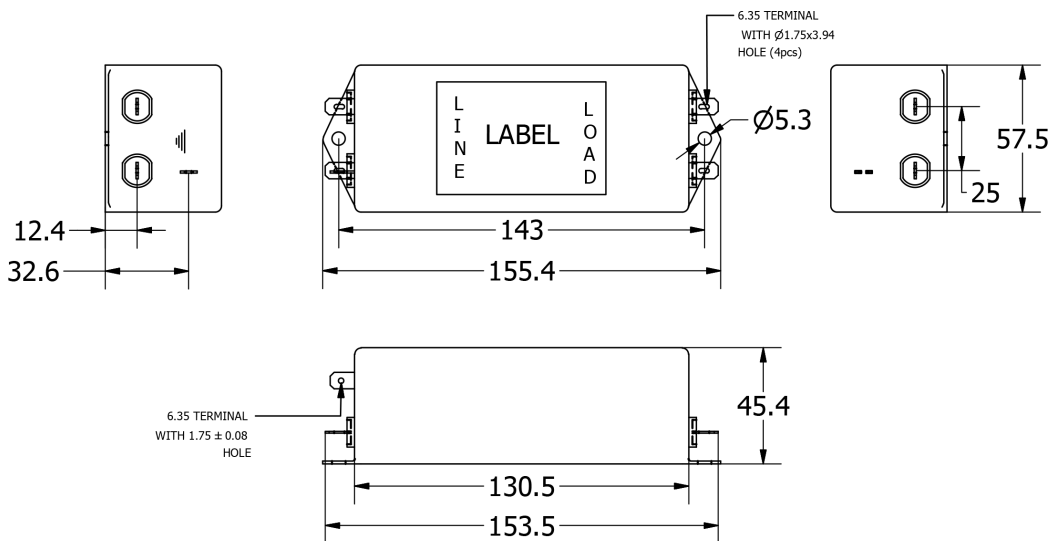
# Dual Stage Power Line Filters Chassis Mount

**multicomp** PRO

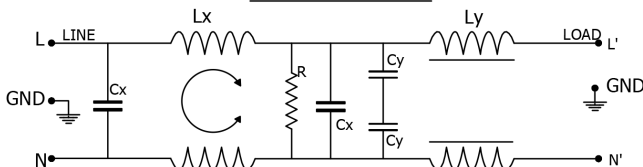
**RoHS  
Compliant**



## Mechanical Details

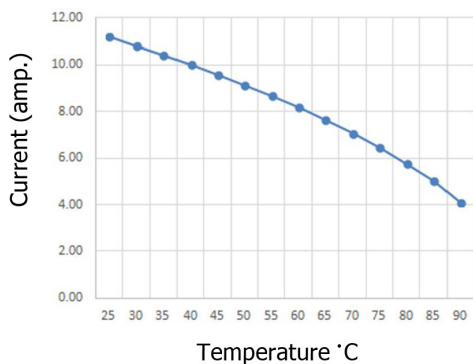


## Electrical Schematic



## MP007491

### Derating curve



### 50Ω to 50Ω Typical Insertion Loss

Frequency MHz	0.01	0.1	0.5	1	2	5	10
Common DB	10	30	48	59	70	63	55
Differential DB	10	39	88	78	64	48	49

Dimensions : Millimetres

Newark.com/multicomp-pro  
Farnell.com/multicomp-pro  
Element14.com/multicomp-pro

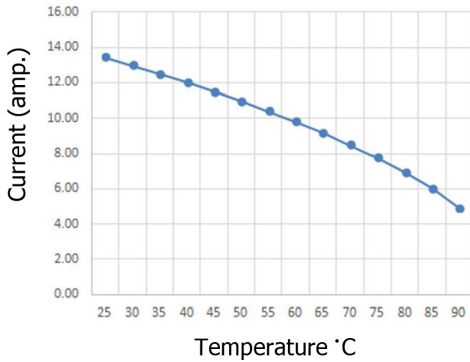
**multicomp** PRO

# Dual Stage Power Line Filters Chassis Mount

**multicomp** PRO

## MP007492

Derating curve



50Ω to 50Ω Typical Insertion Loss

Frequency MHz	0.01	0.1	0.5	1	2	5	10
Common DB	9	18	49	59	65	95	66
Differential DB	10	45	90	72	60	45	44

## Specification

	MP007491	MP007492
Rated Voltage (MAX)	10 AMP, 120V AC to 250V AC 50HZ to 60HZ	12 AMP, 120V AC to 250V AC 50HZ to 60HZ
Hi-pot Rating (One Minute)	Line to Ground: 3000V DC	
	Line to Line : 1100V DC	
Maximum Leakage Line to Ground	0.43mA @120V AC 60 Hz	
	0.74mA @250V AC 50 Hz	
Climate Class: 25/100/21	Temperature Range: -25°C to +100°C	
	Overload Current: 1.5x Rated ct. for 1 min.	

## Part Number Table

Description	Part Number
Power Line Filter, High Performance, 250V AC, 10 A, Single Phase, 2 Stage, Quick Connect	MP007491
Power Line Filter, High Performance, 250V AC, 12 A, Single Phase, 2 Stage, Quick Connect	MP007492

**Important Notice :** This data sheet and its contents (the "Information") belong to the members of the AVNET group of companies (the "Group") or are licensed to it. No licence is granted for the use of it other than for information purposes in connection with the products to which it relates. No licence of any intellectual property rights is granted. The Information is subject to change without notice and replaces all data sheets previously supplied. The Information supplied is believed to be accurate but the Group assumes no responsibility for its accuracy or completeness, any error in or omission from it or for any use made of it. Users of this data sheet should check for themselves the Information and the suitability of the products for their purpose and not make any assumptions based on information included or omitted. Liability for loss or damage resulting from any reliance on the Information or use of it (including liability resulting from negligence or where the Group was aware of the possibility of such loss or damage arising) is excluded. This will not operate to limit or restrict the Group's liability for death or personal injury resulting from its negligence. Multicomp Pro is the registered trademark of Premier Farnell Limited 2019.

Newark.com/multicomp-pro  
Farnell.com/multicomp-pro  
Element14.com/multicomp-pro

**multicomp** PRO