



## Datasheet

### RS PRO Two-Part Enclosures For Wall Mounting

Stock number: 1920742

EN



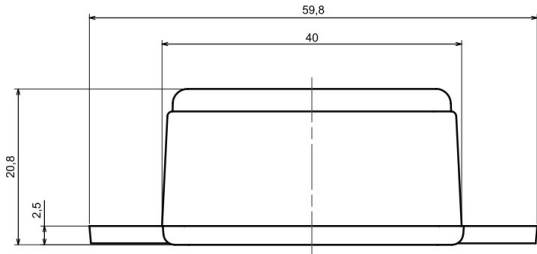
## Product Details

Two-part enclosure is made of black ABS. The enclosure provides IP54 rating it is ideal for applications that doesn't require hermetic seal, it can be mounted on walls and other surfaces using mounting ears.

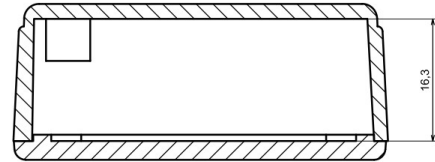
## Features and Benefits

- Made of ABS
- Available in black color
- Protection against liquids and solid objects: IP54 rating
- Lugs for wall mounting

A |



A-A

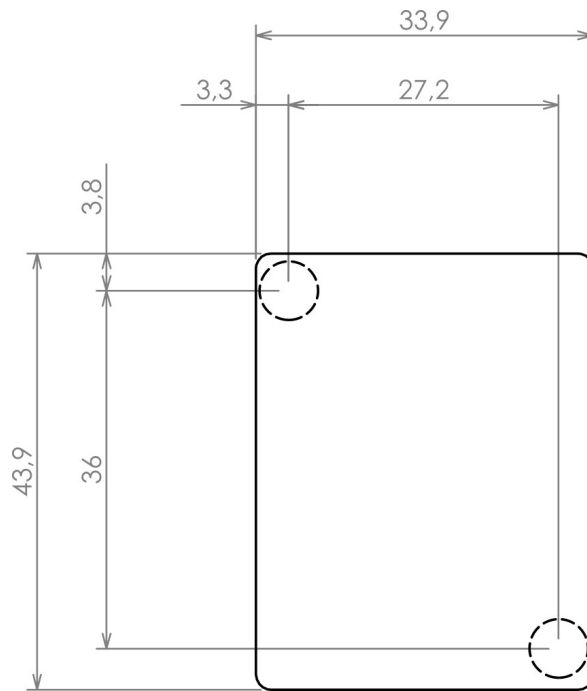


A |

|                    |                              |
|--------------------|------------------------------|
| Category           | Enclosures For Wall Mounting |
| Type               | Full with lug (U)            |
| Material           | ABS                          |
| Variant            | Without gasket               |
| Height             | 20.6 mm                      |
| Width              | 40.4 mm                      |
| Length             | 50.2 mm                      |
| Color              | Black                        |
| Protection level   | IP54                         |
| Standards Met      | RoHS Compliant               |
| Certificate number | Z/12/025/17, CE/031/18       |



## Max PCB size



Dashed line shows outline of the mounting boss under PCB board  
Recommended mounting holes diameter  $\varnothing 3,5\text{mm}$   
All dimensions are given within  $\pm 0,5\text{mm}$  tolerance