

FEATURES

- Top performances at minimal or maximal pressure drop
- Compact and robust construction
- Quick traceability with laser-printed code on the body

RS PRO Pilot 1" OR.25 FKM

RS Stock No.: 2312798



RS PRO professionally Approved Products bring to you professional quality parts across all product categories. Our product range has been tested by engineers and provides a comparable quality to the leading brands without paying a premium price.

Product Description

The RS PRO pilot solenoid valve 2/2nc 1" or.25 FKM mainly used in industrial processing, industrial washing, heating and cooling, chemical, oil & gas and machine tools applications. It is use to control liquid and gaseous media with a clean and compact design.

A solenoid valve is an electrically controlled valve that allows the flow of liquid or gaseous fluids through the orifice of the valve. The valve opens or closes when the internal plunger moves when a magnetic field is created.

General Specifications

Maximum Operating Pressure	25 bar
Applications	Industrial Processing, Industrial Washing, Heating And Cooling, Chemical, Oil & Gas And Machine Tools Applications

Materials	
Softseal Spool	FKM

Electrical Specifications

Function	1in
Actuation Type	Brass Push Fit Fitting
Kv Value (m3/h)	10.97

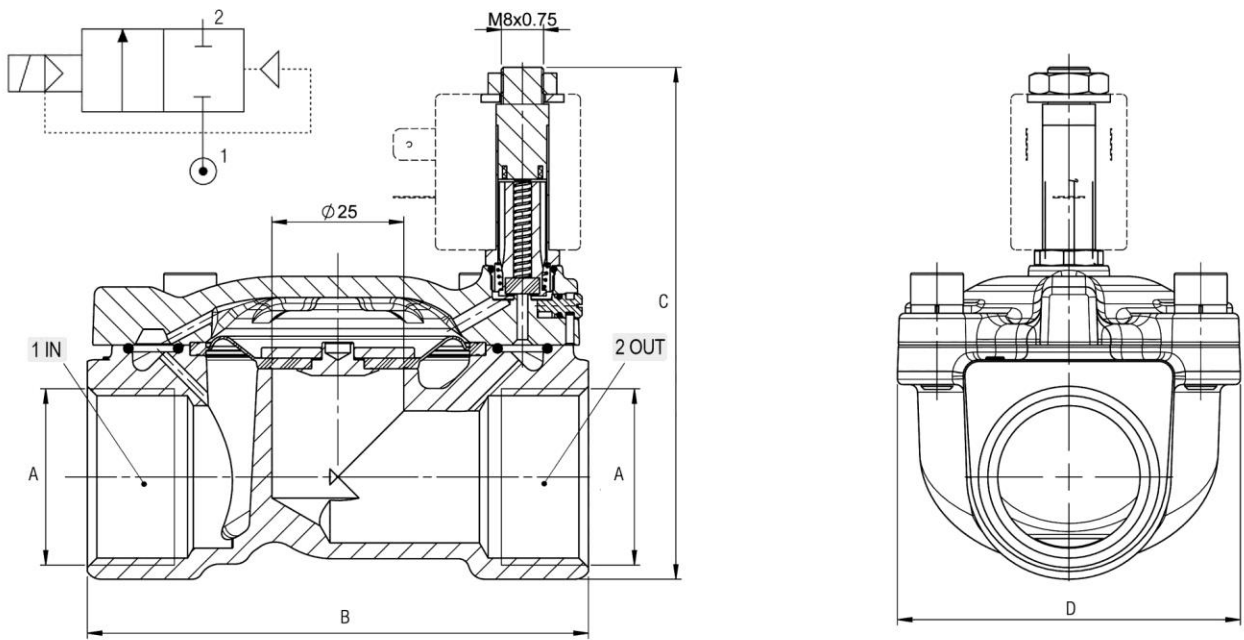
Mechanical Specifications

Connection Port Thread	Solenoid
Thread Size	1in

Mounting Style	2/2 NC
Dimensions	95mm x 97mm x 65mm

Similar Products

Parameters	2312797	2312798
Brand	RS PRO	RS PRO
Maximum Working Pressure	25 bar	25 bar
Kv Value (m³/h)	10.97	10.97
Thread Size	1in	1in



Seals	Thread Size	Ø mm	Viscosity	Kv m ³ /h	B	C	D
FKM	1	25	25	10.97	95	97	65