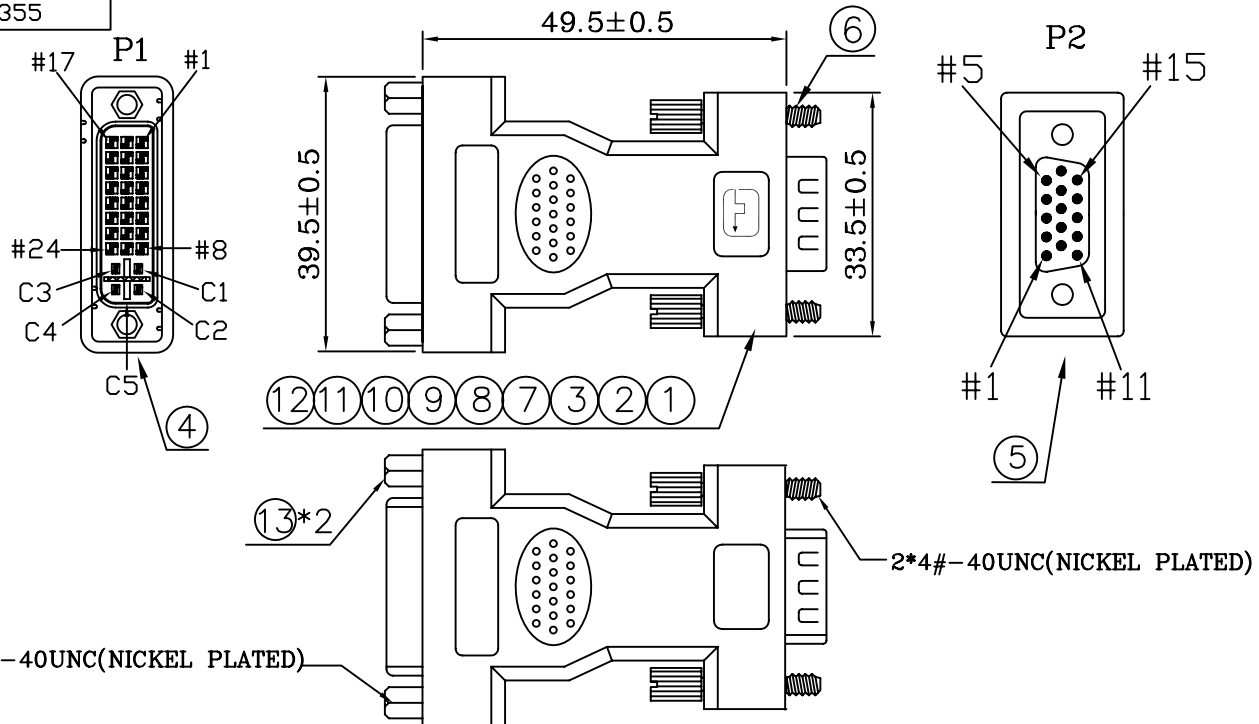


DESCRIPTION CONTROL			
REV	DESC	DATE	ECN NO.



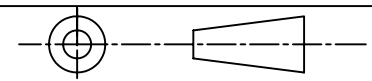
RoHS COMPLIANT

PIN ASSIGNMENT

P1	P2
C1	1
C2	2
C3	3
C4	13
C5	6+7+8
6	15
7	12
8	14
14+16	9
15	5+10
S	S

*	390	PE BAG:3.5*3.5*0.06MM	1	PCS
13	240020000076	NUTS:4.75*8.5*4.85MM(4#-40UNC) (NICKEL PLATED)	2	PCS
12	210	TUBE-HT-Ø1.0MM	8.0*2	MM
11	370	SOL-WIRE-FULL-TIN-1.2	2.0	G
10	370	PVC-BK10/50	19	G
9	370	PE-5321	10.5	G
8	370	HI TEAMP TAPE:W:35MMMM	120.0*1	MM
7	370	FOIL-CU-42MM	85.0*1	MM
6	240020000076	SRW-I4.7*22.6MM(4#-40UNC) (NICKEL PLATED)	2	PCS
5	110021015001	CDS-H15P(BLACK INSULATION) (NICKEL PLATED SHELL)	1	PCS
4	110362329010	DVI-29-FEMALE<WHITE INSULATION> (NICKEL PLATED SHELL) <PIN CONTACT GOLD FLASH><B-NUTS>	1	PCS
3	370	SOL-WIRE-FULL-TIN-1.0	0.6	G
2	100500126021	JUMP WIRE-26AWG-BK-1007	2*25*2 MM*1	MM
1	100500128003	JUMP WIRE-28AWG-BK-1007	2*45*2 MM*10	MM
NO	PART NO	DESCRIPTION	QTY	UNIT

* 390	CARTON:46*30*25CM	1/400 PCS
* 390	PE BAG:30*28*0.08MM	1/400 PCS
* 390	PE BAG:10*12*0.06MM	1/50 PCS
* 390	PE BAG:3.5*3.5*0.06MM	1 PCS
OUTER MOLDING	GC/HD15-DVI092	
INNER MOLDING	GC/HD15-DVI091	



ITEM: 489355	REV R	
DRAW, BY: 鍾有涓	SCALE: NONE	DATE: 2007-12-02
CHECK, BY:	CUSTOMER: C331<RS>	PAGE: 1/1
APP, BY:	CUSTOMER P/N:	

ALL DIMENSIONS IN mm