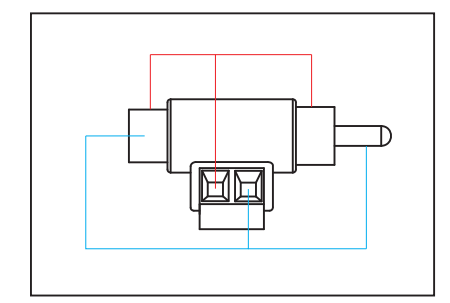
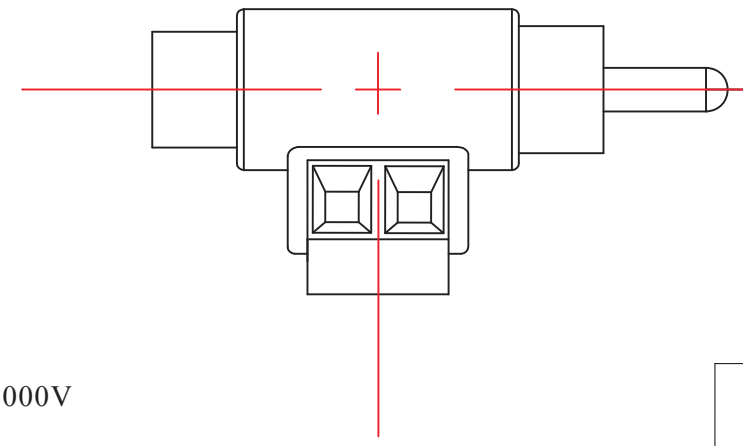
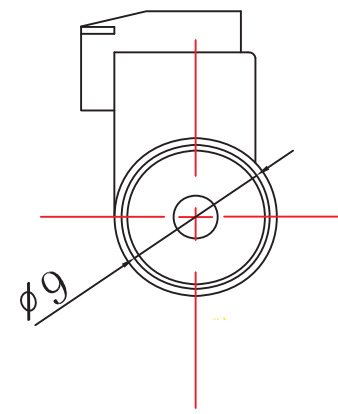
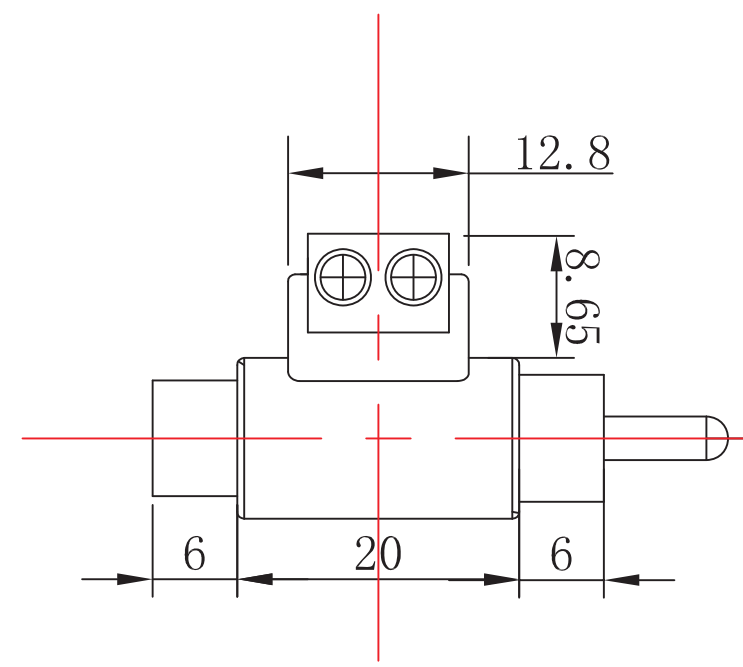
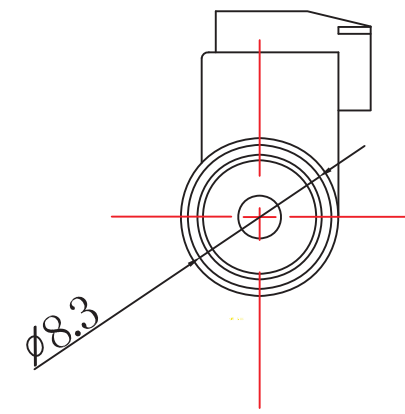
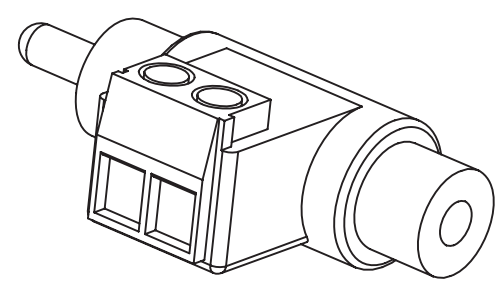

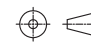


SIGN	DESCRIPTION	DATE	APPROVER
△	---		
△			



Technical Data:

- Electrical:**
 Voltage rating: 12VDC
 Current rating: 5A
 Contact resistance: 20mΩ
 Insulation resistance: 5000MΩ / 1000V
 Wire range: 26-12AWG
- Mechanical:**
 Torque: 0.5Nm (4.4lb/in)
 Operating temperature: -40°C to 105°C
 Strip length: 7mm

		Concept Design Manufacture		CIE-Group Ltd 3 Widdowson Close Blenheim Ind Est Bulwell Nottingham NG6 8WB England T: +44(0)115 9770075 F: +44(0)115 9770081 E: info@cie-group.com W: www.cie-group.com		
		TOLERANCE X ±0.50 .X ±0.30 X.XX ±0.20 X° ±1°		APPROVED: RIKKI CHECKED: CAMILY DRAWN: SHERMAN		NAME: RCA Male/Female Terminal Adapter
		UNIT: mm	REV.: A	PART NO: CLB-JL-8106		
SCALE: 4/1		PAGE: 1/1		DWG NO.:		