

# LED KITCHEN LUMINAIRE



## GL SERIES



### Key Features

- Triac dimming compatible
- Built-in with high thermal efficient linear module that allows lighting to operate at ambient temperature of up to 45°C
- Special designed clear polycarbonate diffuser to optimize the LED light transmission
- Long service life of 50,000 hours L70 @ 45°C (Ta)
- Safety, EMC and IEC compliance
- Available with battery backup system and emergency lighting

### Application

Galleys, Pantries, Cafeterias, Provision rooms, Kitchens

### Mounting Method

6 mounting holes ø5mm

### Material

Diffuser: Polycarbonate  
Base plate: Stainless steel  
Gasket: Silicone rubber

### Cable Entry

2 plastic cable glands M20  
Cable max ø13 mm

### Electrical

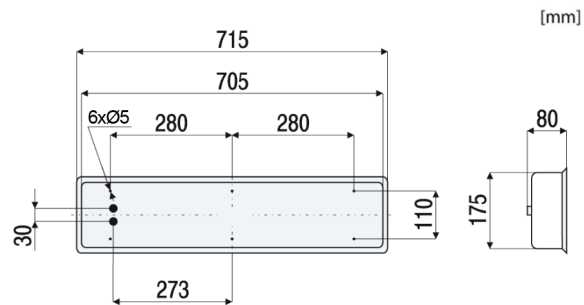
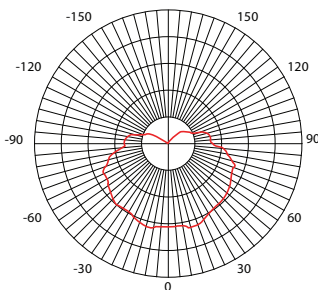
Flexible wiring, Heat resistance up to 105°C

### Options

100V ~ 120V AC

### Weight

4.2Kg



## TECHNICAL SPECIFICATIONS IP 55

- B Denotes : With battery backup
- E Denotes : With DC24V emergency LED

Ideal Replacement: 2 X 18W

BH Code	Type	Main Voltage	Power	CCT	Ambient Temp (Ta)	System Lumen
IGLAGL225A2	GL22	220V - 240V AC	2x12.5W	5000K	-30°C ~ +45°C	1940lm
IGLAGL225A2B	GL22	220V - 240V AC	2x12.5W	5000K	-30°C ~ +45°C	1940lm
IGLAGL225A2E	GL22	220V - 240V AC	2x12.5W	5000K	-30°C ~ +45°C	1940lm

Also available in other CCT.

\*Ambient Temperature not applicable for Battery Backup System and Emergency Lighting.

