



ENGLISH

Datasheet

RS Article:1854603

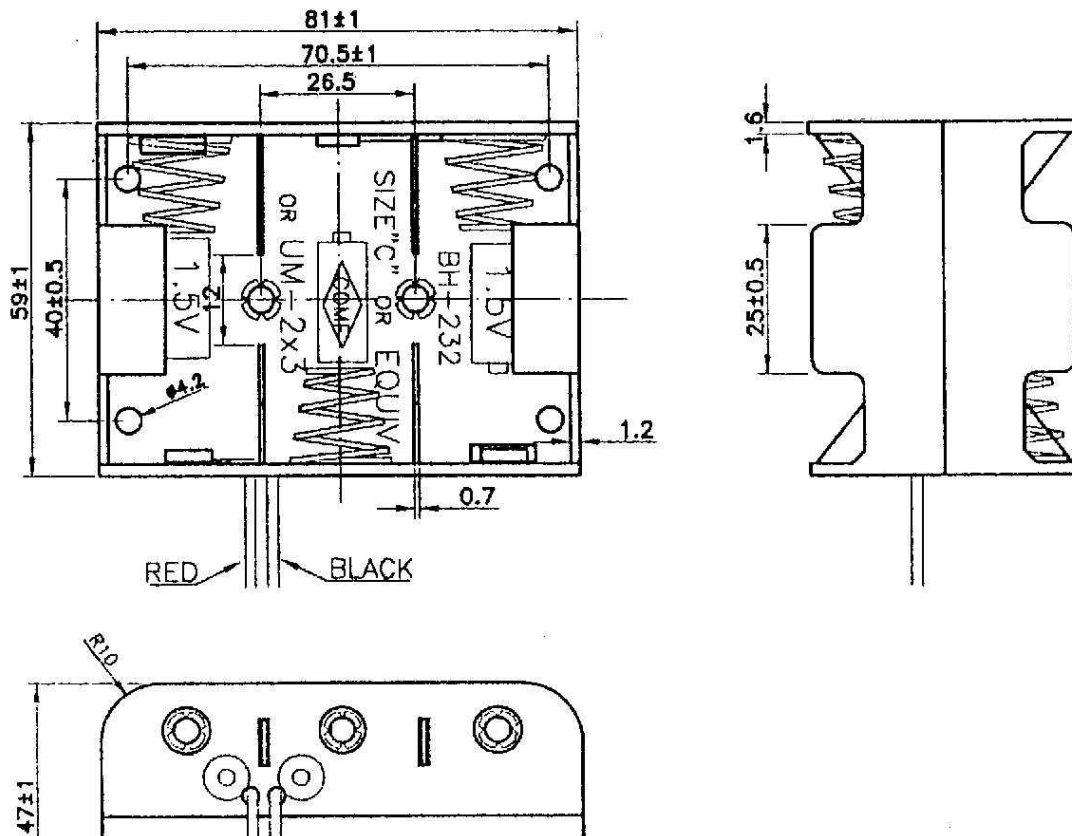
# RS Pro Battery Holder



## 1. Preface:

The purpose of this product specification is to Dimension and drawing

# C x 6 with Lead wire 150mm



## SPECIFICATION

- (1) ITEM NO.: 1854603
- (2) WIRE: UL1007 AWG#24,  
BLACK & RED 150MM±5MM  
STRIP & TIN 5MM±1MM
- (3) MATERIAL: P.P. RESIN ,  
BLACK COLOR
- (4) SPRING: 0.8MM 65C ,  
SPRING WIRE

Measure: mm