



ENGLISH

Datasheet

RS PRO IP67 USB-A 2.0 – Plastic Cable Mount Plug with 2m Cable to USB-A 2.0 Socket



The RS PRO series of waterproof plastic USB-A connectors are a range of ruggedised IP67 connectors designed to be used outdoors or in harsher industrial environments. Designed to fit panel cut outs of 20.75mm the plastic USB-A series also comes with rear potting on the panel mount connectors. This ensures your panel is still sealed to an IP67 rating even when the connector is unmated, and the sealing cap is not connected. The bayonet mating allows for quick and easy connection and disconnection while the Gold-plated contacts and USB Version 2.0 ensures 480Mbps data speeds.

Features & Benefits:

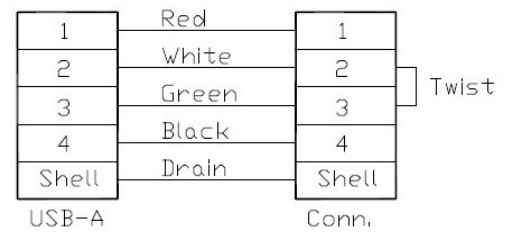
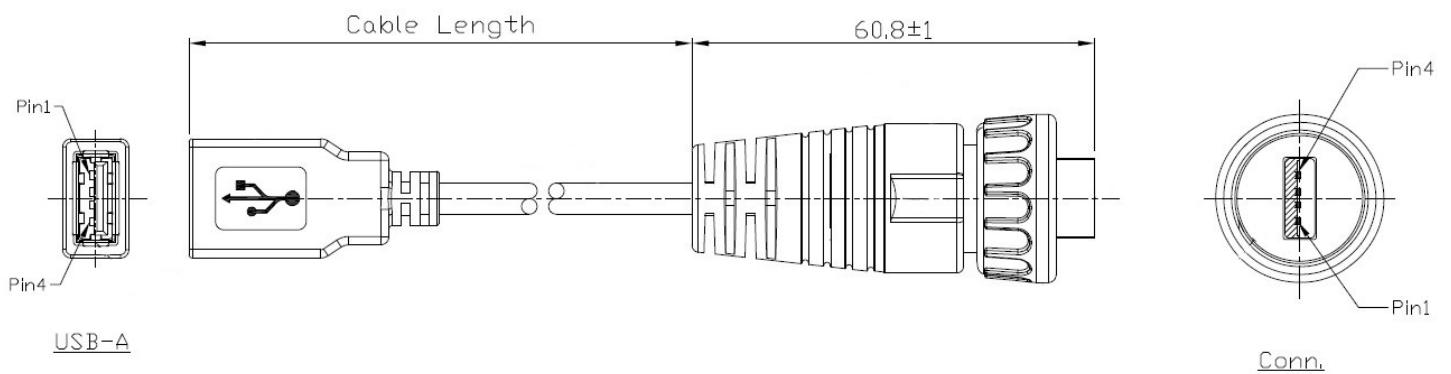
- PA66 Housing
- IP67
- Bayonet Mating
- USB-A 2.0
- Speeds up to 480Mbps

Quality Standards



Dimensional line drawings

231-7881



Wiring Diagram