

RS PRO Photoelectric Sensor

RS Stock No.: 201-8160, 201-8161, 201-8162,
201-8163

FEATURES

- Universal housing, an ideal replacement for a wide range of sensor types;
- IP67, suitable for harsh environments;
- One-click distance setting, accurate and fast;
- Suitable for the detection of high light objects and some transparent objects;
- NO and NC are switchable.
- Bracket Included: 33*30*14mm



RS Professionally Approved Products bring to you professional quality parts across all product categories. Our product range has been tested by engineers and provides a comparable quality to the leading brands without paying a premium price.

Photoelectric Sensors

Part Number Description

Part number	Sensing distance	Light source	Output	Connection
201-8160	3m (adjustable)	Red light (640nm)	NPN NO/NC	2m PVC cable
201-8162	3m (adjustable)	Red light (640nm)	PNP NO/NC	2m PVC cable
201-8161	3m (adjustable)	Red light (640nm)	NPN NO/NC	M8 connector
201-8163	3m (adjustable)	Red light (640nm)	PNP NO/NC	M8 connector

General Specifications

Detection Type	Polarized retro reflection
Rated distance	3m
Standard target	TD-09 reflector
Response Time	≤ 1ms
Indicator	Green light: power, stable signal (unstable signal flash) Yellow light: output, overload or short circuit (flash)
Operating Temperature	-25°C...55 °C
Storage temperature	-25°C...70 °C
Anti-ambient light	Anti-sunlight interference ≥ 10,000lux; Incandescent light interference ≥ 3,000lux

Electrical Specifications

Operating Supply Voltage	10...30 VDC
Current Consumption	≤ 25mA
Voltage Drop	≤ 1V
Load Current	≤ 200mA
Reverse Polarity Protection	YES
Overload Protection	YES
Short Circuit Protection	YES

Mechanical Specifications

Body Style	Block
Mounting Type	Screw
Housing Material	PC+ABS
Lens/Face Material	PMMA
Dimensions	32.5*20*10.6mm
Gross Weight	65g (connector type) / 100g (cable type)

Photoelectric Sensors

Protection Category

IP Rating	IP67
-----------	------

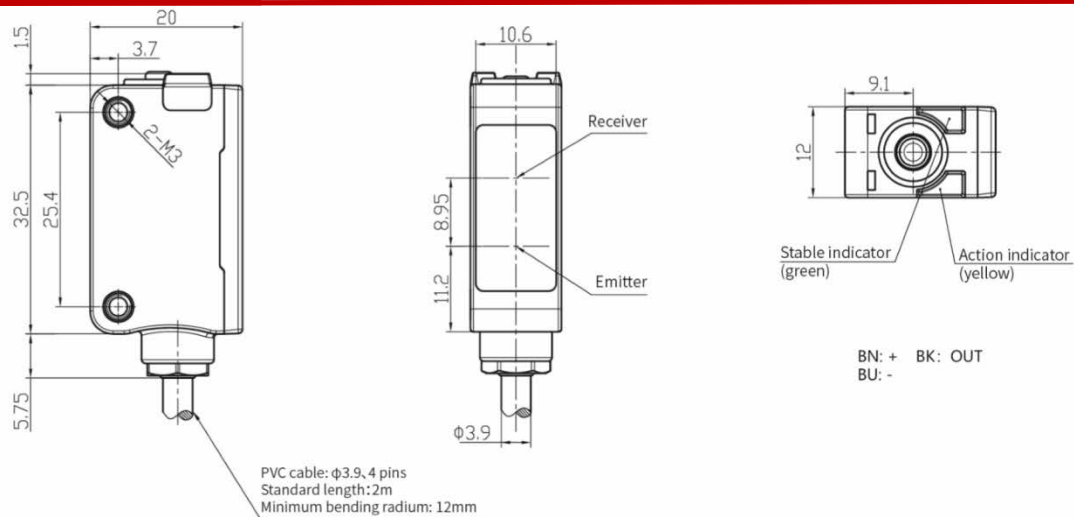
Additional Information

Custom Tariff Number/HS code	903180
NO/NC adjustment	Press the button for 5...8s, when the yellow and green light flash synchronously at 2Hz, leave the button and finish NO/NC adjustment.
Distance adjustment	Press the button for 2...5s, when the yellow and green light flash synchronously at 4Hz, leave the button and finish the distance setting; If the yellow and green light flash asynchronously @8Hz for 3s, setting fails and the product distance goes to the maximum.

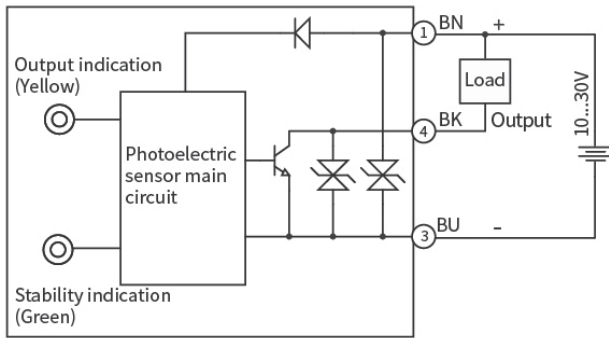
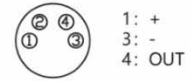
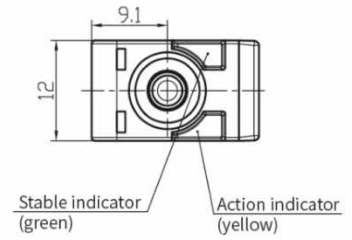
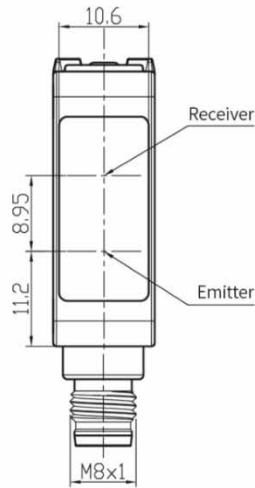
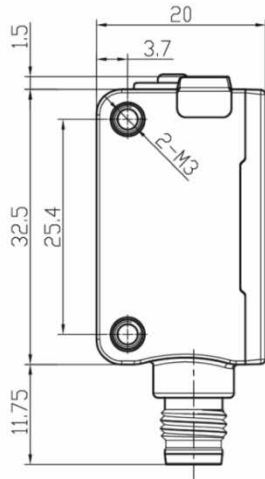
Approvals

Compliance/Certifications	CE
---------------------------	----

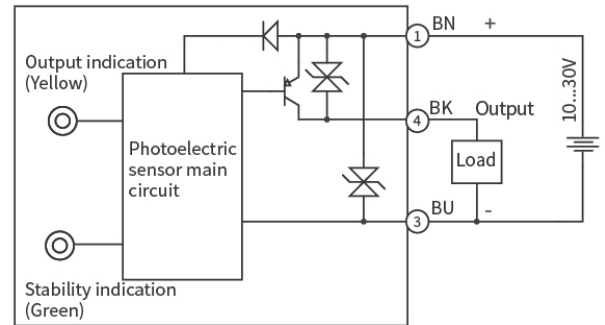
Dimension and Wiring



Photoelectric Sensors



NPN



PNP