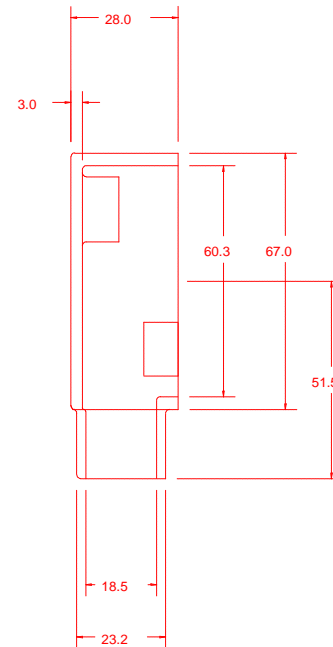
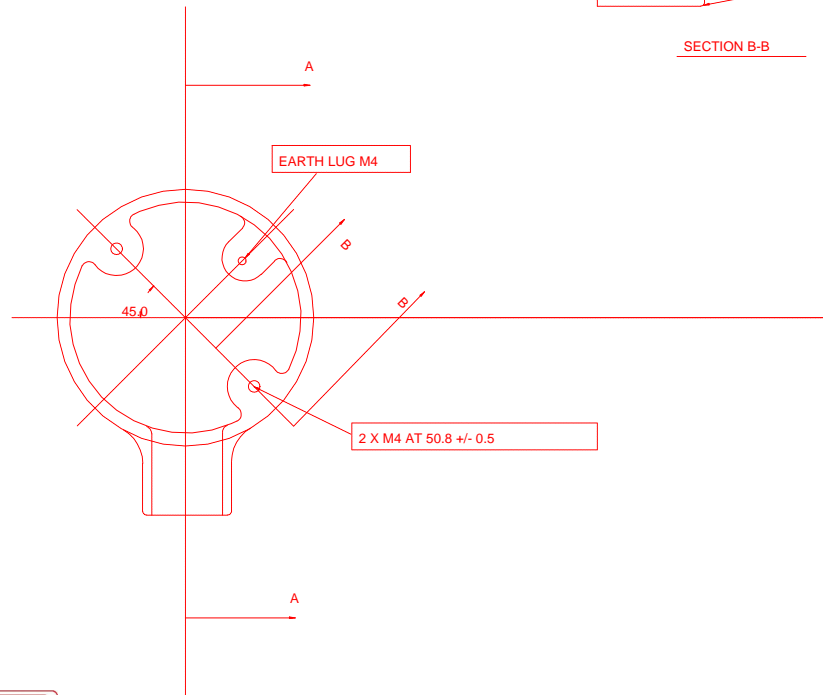


SECTION B-B



SECTION A-A



TITLE 20MM TERMINAL BOX BASE	DATE 29/11/02	DRAWN MSE	MATERIAL 316C16F ST ST	TOLERANCES	THIS DRAWING IS SUBJECT TO COPYRIGHT IT MUST NOT BE REPRODUCED OR OTHERWISE MADE USE OF, WITHOUT THE WRITTEN PERMISSION OF ELECTRIX INTERNATIONAL LTD
	AUTH	CHECKED MSE	FINISH ELECTROPOLISHED	+/- 0.5mm	
			THICKNESS N/A	DIMS IN MM	