

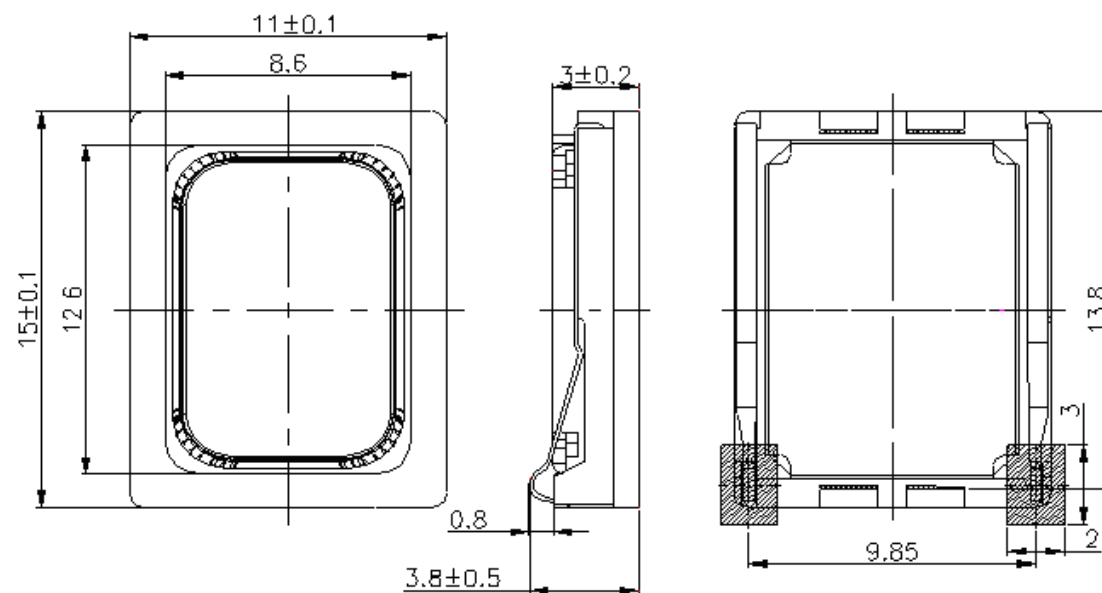
# DATA SHEET

## RS ESSENTIALS SPEAKER

RS Stock Code: 1176047

### Specifications

Rated impedance at 2KHz/2.0Vrms	8±15%Ω
Rated input power	0.5W
Maximum input power	1.0W
Resonant frequency in free air at 2.0Vrms/0.1m	600±20%Hz
Frequency range	f0-20,000Hz
Sound pressure level at 2.0Vrms/0.1m at 2.0kHz	89±3dB
Total harmonic distortion at 1Khz, 2rms/0.1m	10%Max
Coil resistance	7.2±10%Ω
Operating temperature	-20~+70°C
Storage temperature	-30~+80°C
Weight	1.5g



**Dimensions** Unit: mm

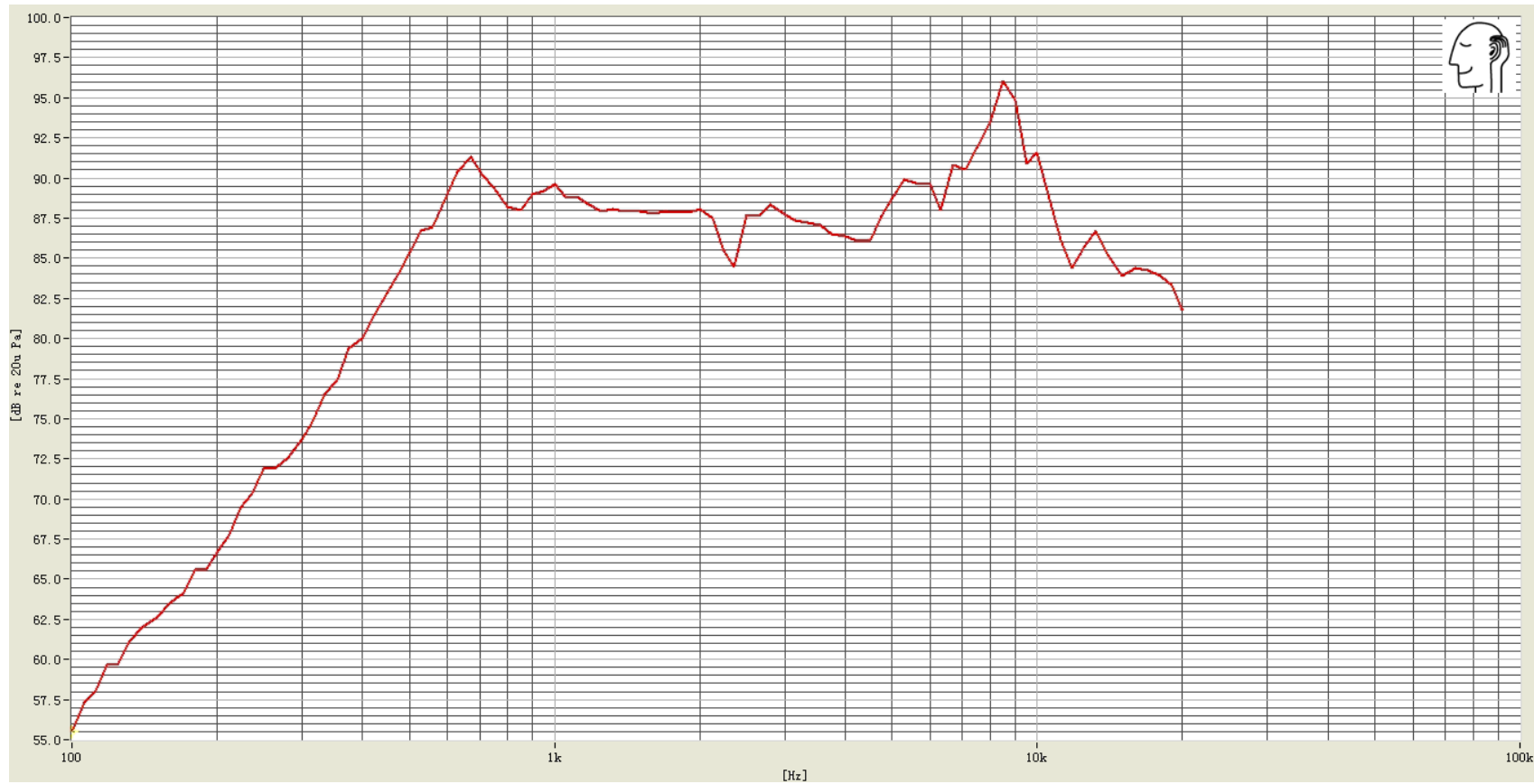
### Material

Frame - PBT	Plate - SPCC
Yoke - SPCC	Magnet - NdFeB
Diaphragm - PEEK	Front Cover - PBT
Voice coil - Copper Wire	Spring Terminal - SUS

# Frequency Response Curve

SPEAKERS

2.0Vrms/10cm



# Impedance Response Curve

SPEAKERS

2.0Vrms/10cm

