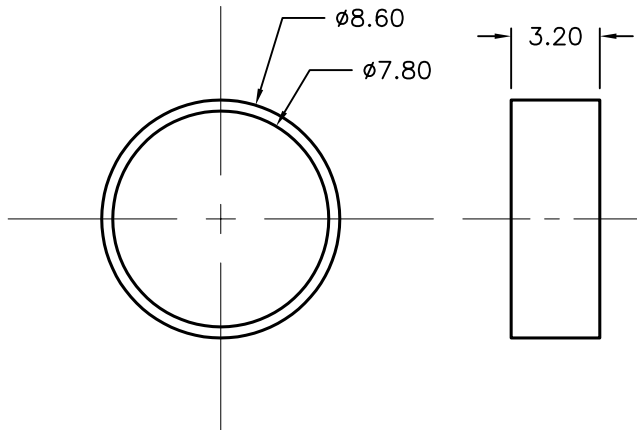
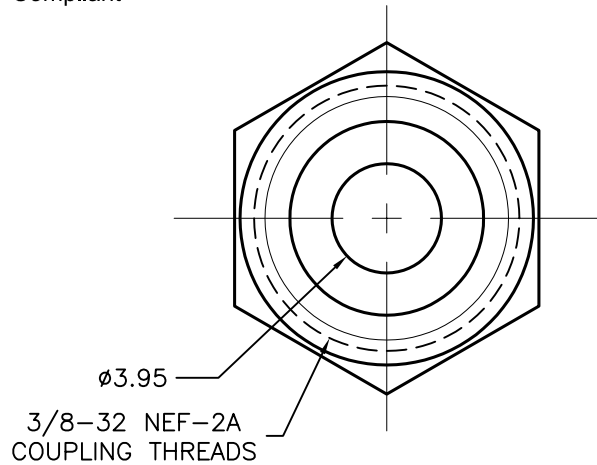


REVISIONS

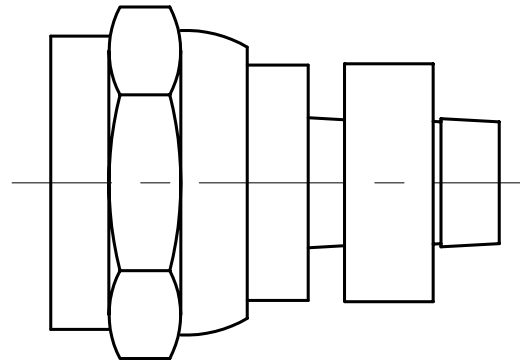
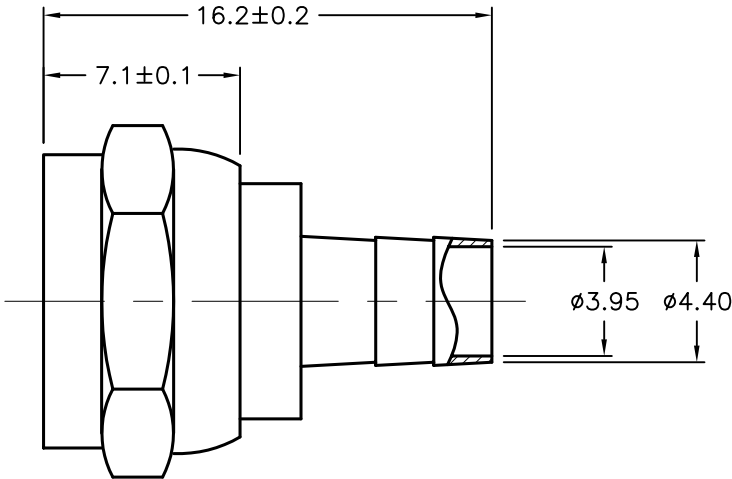
DCP #	REV	DESCRIPTION	DRAWN	DATE	CHECKD	DATE	APPRVD	DATE
1876	A	RELEASED	EO	05/23/06	TL	06/07/06	HO	06/07/06



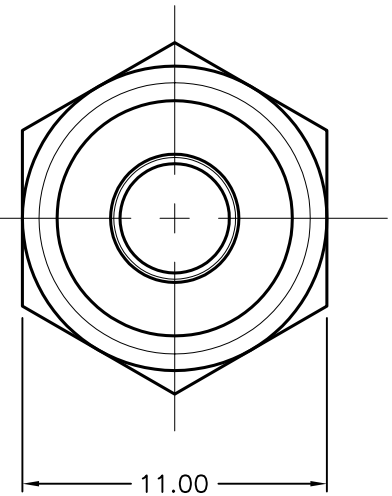
RoHS Compliant



**CRIMP FERRULE**



**ASSEMBLY**



**Specification:**

Metal: Brass-Nickel Plated

DISCLAIMER:  
ALL STATEMENTS AND TECHNICAL INFORMATION CONTAINED HEREIN ARE BASED UPON INFORMATION AND/OR TESTS WE BELIEVE TO BE ACCURATE AND RELIABLE. SINCE CONDITIONS OF USE ARE BEYOND OUR CONTROL, THE USER SHALL DETERMINE THE SUITABILITY OF THE PRODUCT FOR THE INTENDED USE AND ASSUME ALL RISK AND LIABILITY WHATSOEVER IN CONNECTION THEREWITH.

**TOLERANCES:**

Unless Otherwise Specified

.X  $\pm 0.2$  [0.008]

.XX  $\pm 0.12$  [0.005]

**DRAWN BY:**

EKLAS ODISH

**CHECKED BY:**

THOMAS LEE

**APPROVED BY:**

HISHAM ODISH

**DATE:**

05/23/06

**DATE:**

06/07/06

**DATE:**

06/07/06

**DRAWING TITLE:**

"F" PLUGS, RoHS COMPLIANT

**SIZE**

A

**DWG. NO.**

SPC15212

**ELECTRONIC FILE**

79K4814.DWG

**REV**

A

SCALE: NTS

U.O.M.: mm [INCHES]

SHEET: 1 OF 1