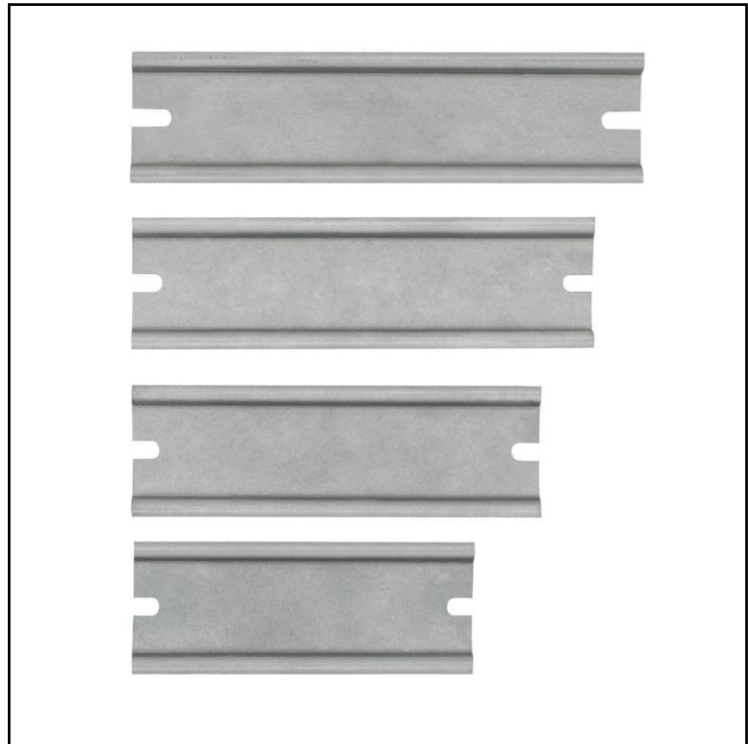


FEATURES

- Made of galvanized steel

RS PRO Din Rail

RS Stock No.: 2383965



RS Professionally Approved Products bring to you professional quality parts across all product categories. Our product range has been tested by engineers and provides a comparable quality to the leading brands without paying a premium price.

Product Description

Din rail for RS PRO hermetic enclosures.

General Specifications

Material	Galvanized steel
-----------------	------------------

Mechanical Specifications

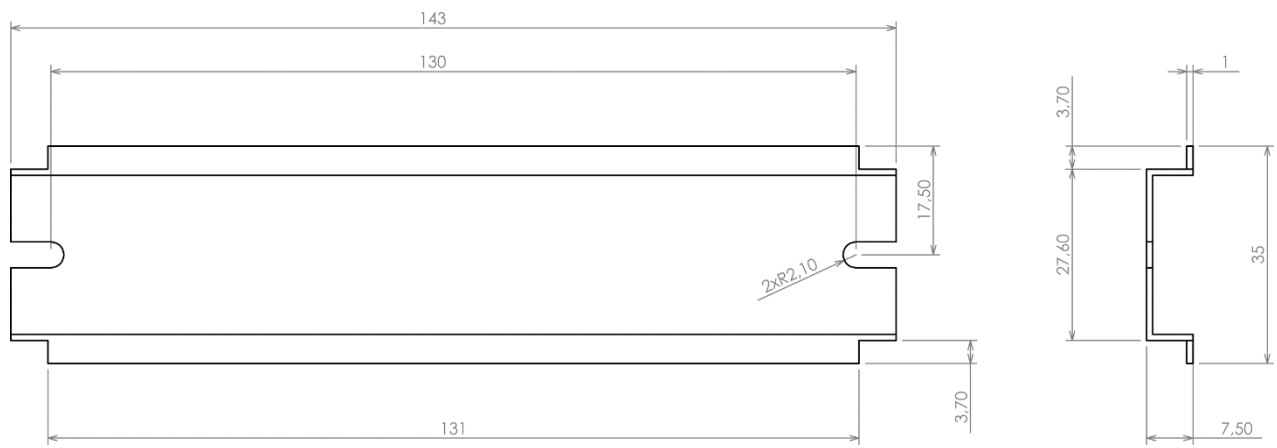
Height	7.5 mm
Width	35.0 mm
Length	143 mm

Approvals

Standards Met	RoHS Compliant
----------------------	----------------

Similar Products

Stock No.	Brand	Product Name	Length
2383966	RS PRO	Din Rail	60 mm
2383968	RS PRO	Din Rail	80 mm



All dimensions are given within +/-0,5mm tolerance