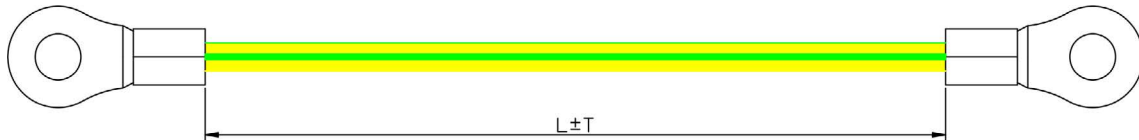
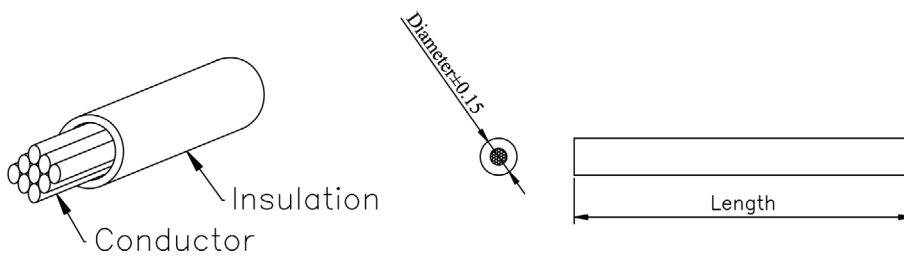


RoHS
Compliant

Diagram



Construct map:

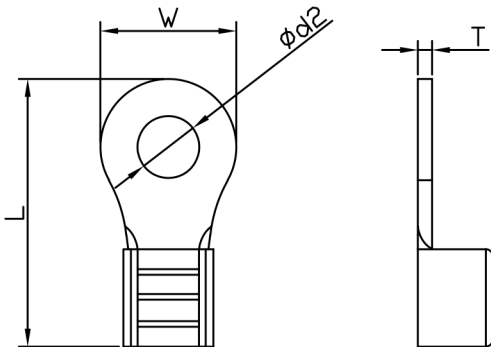


Tolerance Specification
 0.1M to 0.5M, T=15mm
 0.5M to 1M, T=25mm
 1M to 2M, T=30mm
 2M to 5M, T=50mm

Wire Style Number: UL1015 Rated Temperature: 105°C Rated Voltage: 600V Material of Insulation: PVC / Yellow / Green					
Part Number	Conductor			Diameter	Conductor Resistance 20°C (Ω/KM)
	AWG-No.	Construction	CON.DIA		
MP010795	14	41/0.254	1.88	3.5	8.62
MP010796					
MP010797					
MP010798					
MP010799	12	65/0.254	2.37	3.9	5.43
MP010800					
MP010801					
MP010802					

Dimensions : Millimetres

Ground Cables



Material: Copper
Plating: Tin

Wire Range mm ² /AWG	Part Number	Stud Size		Dimension		
		Stud	d2	W	L	T
1.5-2.5mm ² 16-14AWG	MP010795	#4	3.2	6.6	13	0.8
	MP010796	#6	3.7		14.5	
	MP010797	#8	4.3	8.5	16.8	
	MP010798	#10	5.3		16.8	
4-6mm ² 10-12AWG	MP010799	#4	3.2	7.2	16.2	1
	MP010800	#6	3.7			
	MP010801	#8	4.3	9.5	19.8	
	MP010802	#10	5.3			

Dimensions : Millimetres

Tolerance: ±0.3mm

Part Number Table

Description	Part Number
Ground Cable, 14AWG, 3.2mm Ring Terminal, 0.3m	MP010795
Ground Cable, 14AWG, 3.7mm Ring Terminal, 0.3m	MP010796
Ground Cable, 14AWG, 4.3mm Ring Terminal, 0.3m	MP010797
Ground Cable, 14AWG, 5.3mm Ring Terminal, 0.3m	MP010798
Ground Cable, 12AWG, 3.2mm Ring Terminal, 0.3m	MP010799
Ground Cable, 12AWG, 3.7mm Ring Terminal, 0.3m	MP010800
Ground Cable, 12AWG, 4.3mm Ring Terminal, 0.3m	MP010801
Ground Cable, 12AWG, 5.3mm Ring Terminal, 0.3m	MP010802

Important Notice : This data sheet and its contents (the "Information") belong to the members of the AVNET group of companies (the "Group") or are licensed to it. No licence is granted for the use of it other than for information purposes in connection with the products to which it relates. No licence of any intellectual property rights is granted. The Information is subject to change without notice and replaces all data sheets previously supplied. The Information supplied is believed to be accurate but the Group assumes no responsibility for its accuracy or completeness, any error in or omission from it or for any use made of it. Users of this data sheet should check for themselves the Information and the suitability of the products for their purpose and not make any assumptions based on information included or omitted. Liability for loss or damage resulting from any reliance on the Information or use of it (including liability resulting from negligence or where the Group was aware of the possibility of such loss or damage arising) is excluded. This will not operate to limit or restrict the Group's liability for death or personal injury resulting from its negligence. Multicomp Pro is the registered trademark of Premier Farnell Limited 2019.