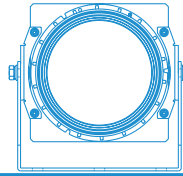


MODULAR LED FLOODLIGHT



LF60 1 SERIES



Wide beam model



Narrow beam model



*Protection guard is optional add-on

Key Features

- Triac dimming compatible (**220V-240VAC & 100V-120VAC only**)
- Designed with reliable AC driver on board to enhance the service life
- Rapid heat-dissipating design to prolong lamp life and optimise lumen output
- Long service life of 100,000 hours @ 50°C (Ta)
- Compact and lightweight design
- Interchangeable module
- Safety, EMC and IEC compliance



Application

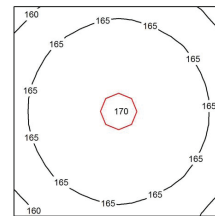
Decks, Marinas, Docks, Ports, Warehouses

Material

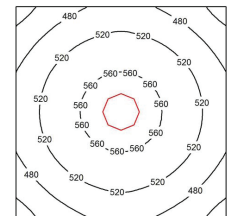
Marine grade aluminium alloy with powder coating, comes with 4mm tempered glass front cover
Optional protection guard: SUS316 stainless steel

Weight

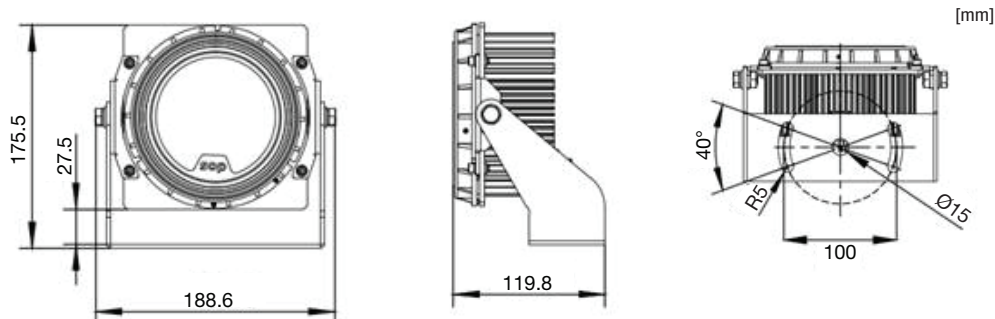
1.9Kg



Wide beam model:
Average Lux : 166lx
Mounting Height : 3 Meters
Measurement Area : 1m²



Narrow beam model:
Average Lux : 515lx
Mounting Height : 3 Meters
Measurement Area : 1m²



TECHNICAL SPECIFICATIONS

IP 66

Ideal Replacement:



BH Code	Type	Main Voltage	Power	CCT	Beam Angle	Ambient Temp (Ta)	System Lumen
LF60F015KA22	LF60F01	220V - 240V AC	56W	5000K	115°	-40°C ~ +50°C	5500lm
LF60N015KA22	LF60N01	220V - 240V AC	56W	5000K	45°	-40°C ~ +50°C	5400lm
LF60F015KA11	LF60F01	100V - 120V AC	56W	5000K	105°	-40°C ~ +50°C	4500lm
LF60N015KA11	LF60N01	100V - 120V AC	56W	5000K	45°	-40°C ~ +50°C	4500lm
LF60F015KD24	LF60F01	24V DC	56W	5000K	130°	-40°C ~ +50°C	4900lm
LF60N015KD24	LF60N01	24V DC	56W	5000K	35°	-40°C ~ +50°C	4600lm

Also available in other CCT and beam angle upon request.

Due to our continuous development and product improvement policy, we reserve the rights to revise the specifications of all products without prior notice.

