

## Datasheet

# RS PRO 250 TYPE NON-INSULATED FEMALE DISCONNECTORS (LOOSE TYPE)

Stock number: **2055306**

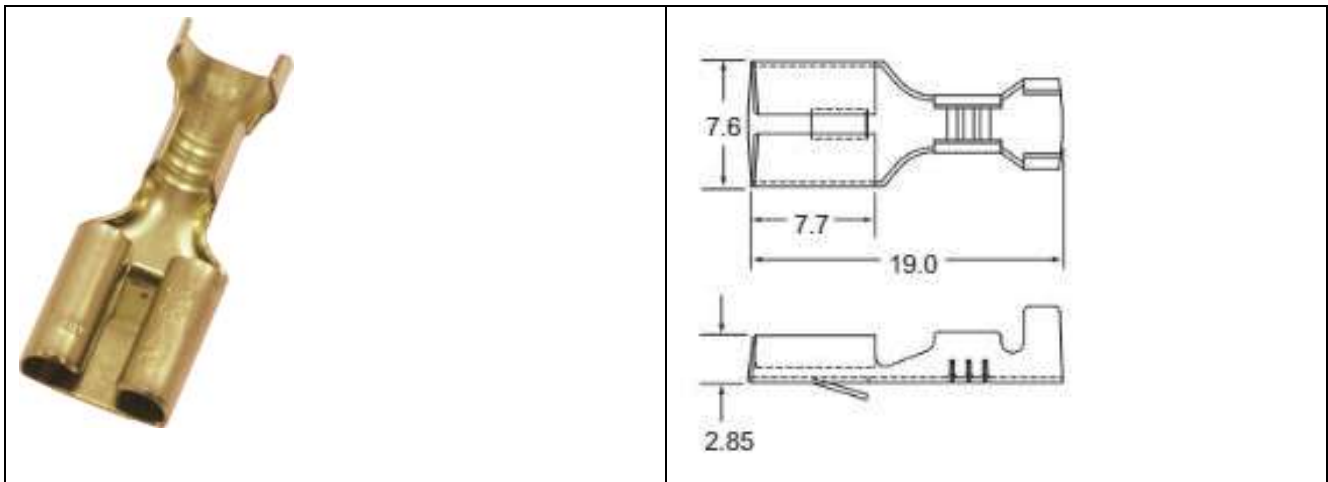
MAXIMUM ELECTRIC CURRENT:

A.W.G.	22	20	18	16
AMP.	9	12	17	18

TERMINAL MATERIAL: BRASS

TERMINAL SURFACE TREATMENT: NONE

THICKNESS: 0.30MM



WIRE RANGE A.W.G. mm <sup>2</sup>	NEMA TAB (6.35 x 0.8)	DIMENSION (mm)					MATERIAL	PLATINGS
		W	F	L	H	T		
22-16 A.W.G. 0.3-1.4 mm <sup>2</sup>	.250 x .032 (6.35 x 0.8)	7.6	7.7	19	2.85	0.30	BRASS	NONE