

Wire to Board Terminal Block **multicomp**PRO

RoHS
Compliant



Specifications

Technical data in accordance to UL/CUL

Current Rating	: 36A 600V (UG B/C)
Insulation withstands voltage	: 2200V AC 1min
Insulation Resistance	: >2000MΩ 500V DC
Wire Range	: 8AWG to 24AWG

Technical data in accordance to IEC/EN

Rated Surge Voltage (III/3)	: 8kV
Rated Surge Voltage (III/2)	: 8kV
Rated Surge Voltage (II/2)	: 8kV
Rated Insulation Voltage (III/3)	: 800V
Rated Insulation Voltage (III/2)	: 1000V (AC RMS/DC)
Rated Insulation Voltage (II/2)	: 1000V
Rated Current	: 41A
Wire Range	: 0.2mm ² to 10mm ²

Approval data in accordance to IEC 60998-2-2

Rated Insulation Voltage (III/3)	: 450V
Rated Current	: 41A
Wire Range	: 0.2mm ² to 10mm ² (rigid solid) 0.2mm ² to 6mm ² (rigid stranded flexible)
Operating Temperature	: -40°C to +105°C
Wire Strip Length	: 14mm to 15mm

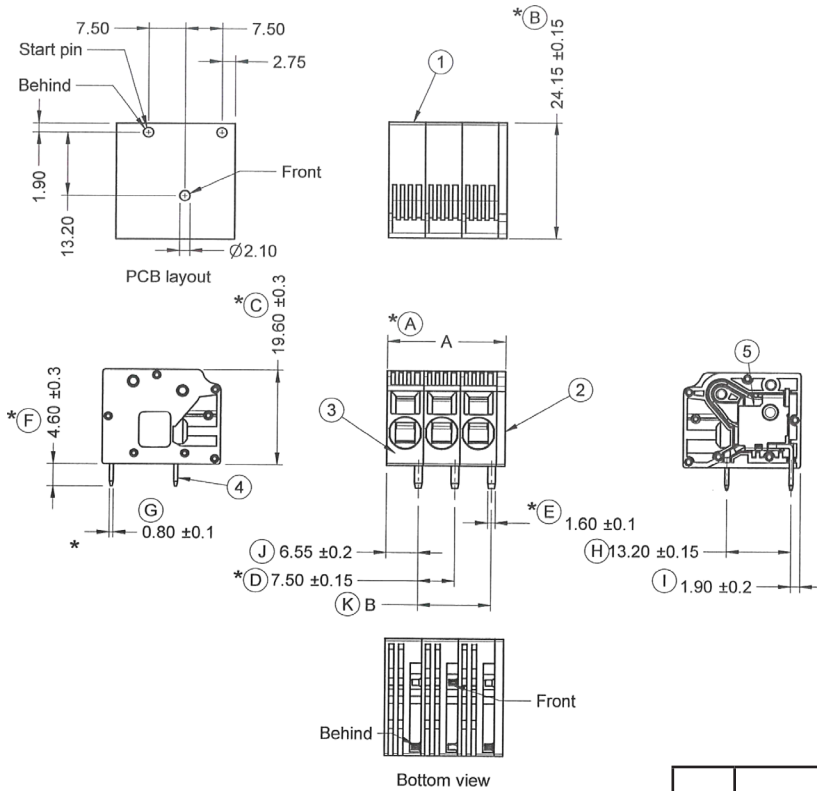
Pitch : 7.5mm (0.295inch)		
Poles	A(mm)	A(inch)
02	16.8 ±0.15	7.5 ±0.15
03	24.3 ±0.2	15 ±0.15

Newark.com/multicomp-pro
Farnell.com/multicomp-pro
sg.element14.com/b/multicomp-pro

multicompPRO

Wire to Board Terminal Block **multicomp**PRO

Diagram



Dimensions : Millimetres

	Material		Plating/Finish	Remark	
1	Insulating body	Polyamide		Light Green	
2	Side Cover	66(UL94V-0)			
3	Spring	Stainless Steel	-		
4	Contact	Copper			Tin Plated
5	Metal frame	Steel			Zinc Plated

Part Number Table

Description	Part Number
Terminal Block, 7.5mm, 02P	MP012699
Terminal Block, 7.5mm, 03P	MP012700

Important Notice : This data sheet and its contents (the "Information") belong to the members of the AVNET group of companies (the "Group") or are licensed to it. No licence is granted for the use of it other than for information purposes in connection with the products to which it relates. No licence of any intellectual property rights is granted. The Information is subject to change without notice and replaces all data sheets previously supplied. The Information supplied is believed to be accurate but the Group assumes no responsibility for its accuracy or completeness, any error in or omission from it or for any use made of it. Users of this data sheet should check for themselves the Information and the suitability of the products for their purpose and not make any assumptions based on information included or omitted. Liability for loss or damage resulting from any reliance on the Information or use of it (including liability resulting from negligence or where the Group was aware of the possibility of such loss or damage arising) is excluded. This will not operate to limit or restrict the Group's liability for death or personal injury resulting from its negligence. Multicomp Pro is the registered trademark of Premier Farnell Limited 2019.

Newark.com/multicomp-pro
 Farnell.com/multicomp-pro
 sg.element14.com/b/multicomp-pro

multicompPRO