

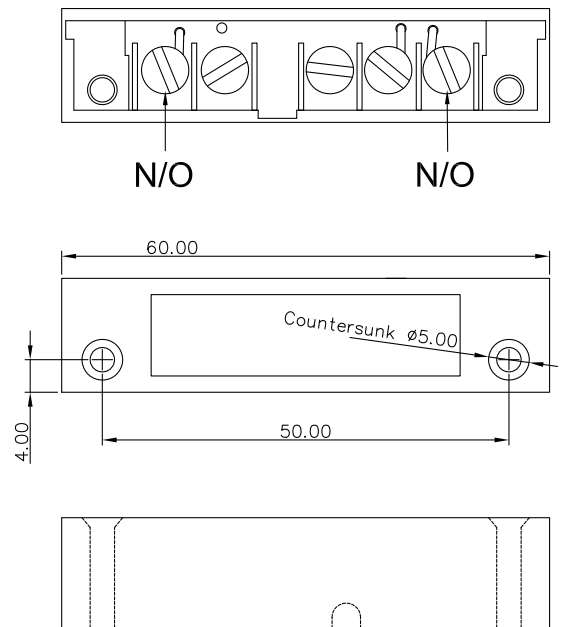
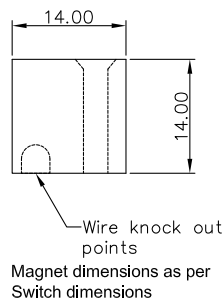
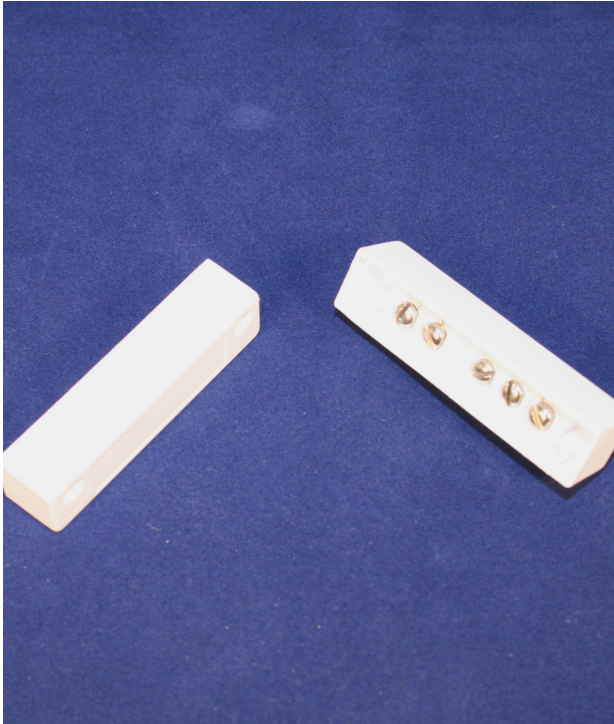


ENGLISH

Datasheet

Stock No: 9182678

## RS Pro Grade 1 Surface mount alarm contact



### Specifications

- Normally open
- Grade 1
- Maximum switching voltage 140 VAC/ DC
- Maximum switching current 0.5 Amps
- Carry current Max 1.0 Amp
- Maximum power 10 W/VA
- Insulation resistance 100 MOhms
- Contact resistance 150 mOhms
- Operating distance 20mm
- Operating temperature  $-40^{\circ}$  to  $+60^{\circ}$  Celsius
- High impact Polystyrene housing material