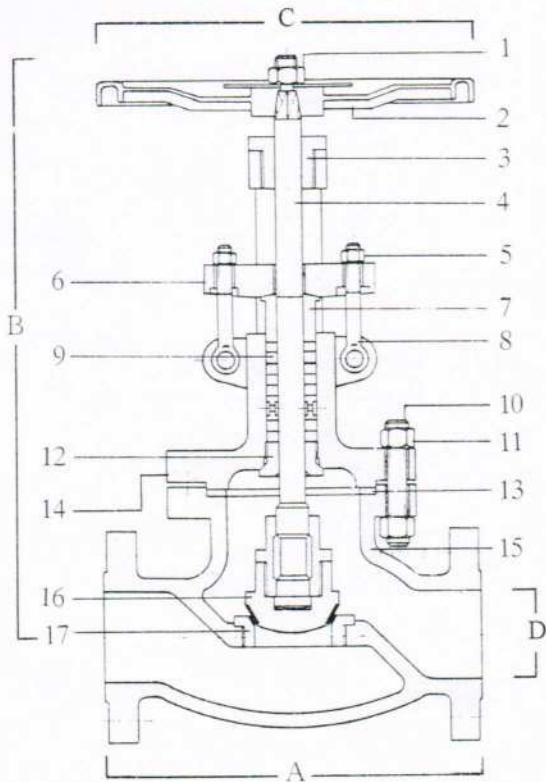




# ISUKA VALVE MFG. CO., LTD.

## GLOBE VALVES CAST STEEL BOLTED BONNET ANSI CLASS 150



NO.	PARTS	MAERIALS
1	Handwhell Nut	ASTM A105
2	Handwheel	Ductile iron
3	Yoke Sleeve	ASTM A439 Tp. D2
4	Stem	ASTM A182 Gr. F6a
5	Gland Eyebolt Nut	ASTM A194 Gr. 2H
6	Gland Flange	ASTM A105
7	Gland	ASTM A182 Gr. F6a
8	Gland Eyebolt	ASTM A Gr.
9	Stem Packing	J. C 187-i Graphoil
10	Bonnet Stud Bolt	ASTM A193 Gr. B7
11	Bonnet Stud Bolt Nut	ASTM A194 Gr. 2H
12	Back-Seat Bushing	ASTM A182 Gr. F6a
13	Bonnet Gasket	Soft steel
14	Bonnet	ASTM A216 Gr. WCB
15	Body	ASTM A216 Gr. WCB
16	Disc	ASTM A216 + Cr13
17	Seat Ring	ASTM A105 A105 + Stellite

APPLICABLE CLASS 150 STANDARDS:  
Steel Valves, ANSI B16.34  
Face-to-Face, End-to-End, ANSI B16.10  
End Flanges, ANSI B16.5  
Weld Ends, ANSI B16.25

TESTS:  
API 598  
Shell: 450 PSIG Hydrostatic  
Seat: 315 PSIG Hydrostatic  
80 PSIG Air  
Other testing available upon request.

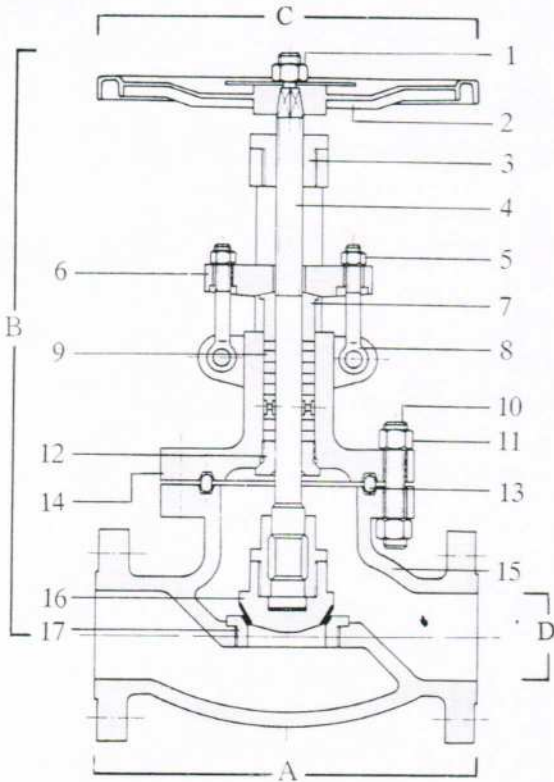
### DIMENSIONS IN INCHES & MILLIMETERS (Approx.):

SIZE	2" 50mm	2-1/2" 65mm	3" 80mm	4" 100mm	5" 130mm	6" 150mm	8" 200mm	10" 250mm	12" 300mm	14" 350mm	16" 400mm	18" 450mm		
A Face to Face RF	8.0 203	8.5 216	9.5 241	11.5 292	14.0 356	16.0 406	19.5 495	24.5 622	27.5 698	31.0 787	36 914	38.5 978		
A End to End BW	8.0 203	8.5 216	9.5 241	11.5 292	14.0 356	16.0 406	19.5 495	24.5 622	27.5 698	31 787	36 914	38.5 978		
B Valve Closed	12.90 328	14.0 356	15.4 390	18.1 460	19.9 506	19.9 506	24.1 612	27.0 686	30.7 781	45.0 1144	50.8 1291	52.9 1343		
C Diameter Handwheel	7.9 200	9.8 250	9.8 250	11.8 300	13.8 350	13.8 350	15.7 400	19.7 500	22.0 560	23.6 600	23.6 600	23.6 600		
D Valve Port	2.0 51	2.5 64	3.0 76	4.0 102	5.0 127	6.0 152	8.0 203	10.0 254	12.0 305	13.25 337	15.25 387	17.25 438		
WEIGHT (Lbs) RF	47 21	66 30	82 37	126 57	172 78	220 100	343 156	506 230	770 350	1055 480	1300 591	1520 691		

# ISUKA VALVE MFG. CO., LTD.



## GLOBE VALVES CAST STEEL BOLTED BONNET ANSI CLASS 300



NO.	PARTS	MAERIALS
1	Handwhell Nut	ASTM A105
2	Handwheel	Ductile iron
3	Yoke Sleeve	ASTM A439 Tp. D2
4	Stem	ASTM A182 Gr. F6a
5	Gland Eyebolt Nut	ASTM A194 Gr. 2H
6	Gland Flange	ASTM A105
7	Gland	ASTM A182 Gr. F6a
8	Gland Eyebolt	ASTM A Gr.
9	Stem Packing	J. C 187-i Graphoil
10	Bonnet Stud Bolt	ASTM A193 Gr. B7
11	Bonnet Stud Bolt Nut	ASTM A194 Gr. 2H
12	Back-Seat Bushing	ASTM A182 Gr. F6a
13	Bonnet Gasket	Soft steel
14	Bonnet	ASTM A216 Gr. WCB
15	Body	ASTM A216 Gr. WCB
16	Disc	ASTM A216 + Cr13
17	Seat Ring	ASTM A105 A105 + Stellite

APPLICABLE CLASS 300 STANDARDS:  
Steel Valves, ANSI B16.34  
Face-to-Face, End-to-End, ANSI B16.10  
End Flanges, ANSI B16.5  
Weld Ends, ANSI B16.25

TESTS:  
API 598  
Shell: 1125 PSIG Hydrostatic  
Seat: 815 PSIG Hydrostatic  
80 PSIG Air  
Other testing available upon request.

### DIMENSIONS IN INCHES & MILLIMETERS ( Approx. ):

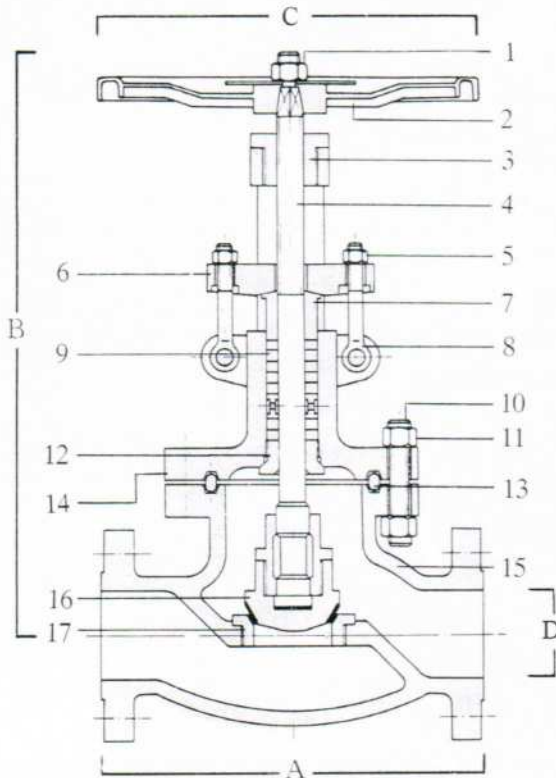
SIZE	2" 50mm	2-1/2" 65mm	3" 80mm	4" 100mm	5" 130mm	6" 150mm	8" 200mm	10" 250mm	12" 300mm				
A Face to Face RF	10.5 267	11.5 292	12.5 318	14.0 356	15.5 394	17.5 444	22.0 559	24.5 622	28.0 711				
A End to End BW	10.5 267	11.5 292	12.5 318	14.0 356	15.5 394	17.5 444	22.0 559	24.5 622	28.0 711				
B Valve Closed	13.9 352	15.7 400	17.3 439	20.0 509	21.4 544	26.6 675	31.3 795	36.6 930	38.0 965				
C Diameter Handwheel	7.9 200	9.8 250	9.8 250	13.8 350	13.8 350	17.7 450	19.7 500	23.6 600	26.8 680				
D Valve Port	2.0 51	2.5 64	3.0 76	4.0 102	5.0 127	6.0 152	8.0 203	10.0 254	12.0 305				
WEIGHT (Lbs) RF (kg)	68 31	97 44	121 55	185 84	242 110	330 150	495 225	726 330	1023 465				





# ISUKA VALVE MFG. CO., LTD.

## GLOBE VALVES CAST STEEL BOLTED BONNET ANSI CLASS 600



NO.	PARTS	MAERIALS
1	Handwhell Nut	ASTM A105
2	Handwheel	Ductile iron
3	Yoke Sleeve	ASTM A439 Tp. D2
4	Stem	ASTM A182 Gr. F6a
5	Gland Eyebolt Nut	ASTM A194 Gr. 2H
6	Gland Flange	ASTM A105
7	Gland	ASTM A182 Gr. F6a
8	Gland Eyebolt	ASTM A307 Gr. A
9	Stem Packing	J. C 187-i Graphoil
10	Bonnet Stud Bolt	ASTM A193 Gr. B7
11	Bonnet Stud Bolt Nut	ASTM A194 Gr. 2H
12	Back-Seat Bushing	ASTM A182 Gr. F6a
13	Bonnet Gasket	Oval ring
14	Bonnet	ASTM A216 Gr. WCB
15	Body	ASTM A216 Gr. WCB
16	Disc	ASTM A216 + CrB3
17	Seat Ring	ASTM A105 A105 + Stellite

APPLICABLE CLASS 600 STANDARDS;  
Steel Valves, ANSI B16.34  
Face-to-Face, End-to-End, ANSI B16.10  
End Flanges, ANSI B16.5  
Weld Ends, ANSI B16.25

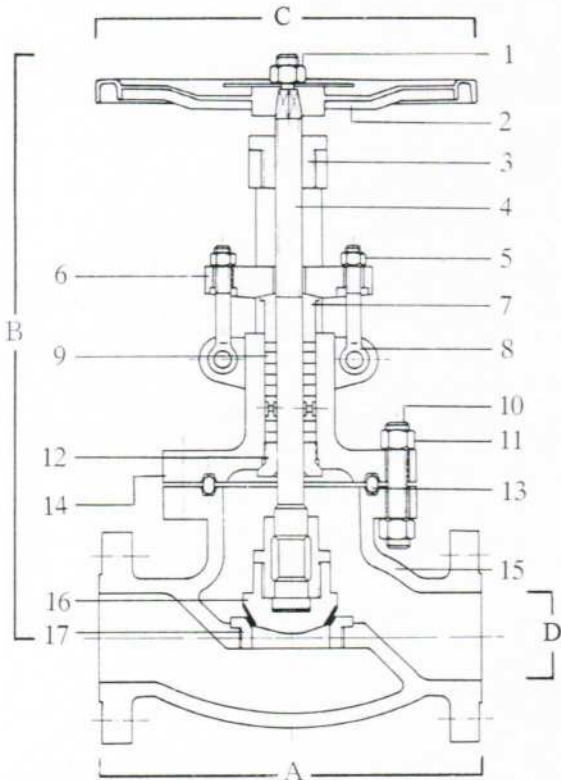
TESTS:  
API 598  
Shell; 2225 PSIG Hydrostatic  
Seat; 1630 PSIG Hydrostatic  
80 PSIG Air  
Other testing available upon request.

### DIMENSIONS IN INCHES & MILLIMETERS ( Approx. ):

SIZE	2" 50mm	2-1/2" 65mm	3" 80mm	4" 100mm	5" 130mm	6" 150mm	8" 200mm	10" 250mm	12" 300mm					
A Face to Face RF	11.5 292	13.0 330	14.0 356	17.0 432	20.0 508	22.0 559	26.0 660	31.0 787	33.0 838					
A End to End BW	11.5 292	13.0 330	14.0 356	17.0 432	20.0 508	22.0 559	26.0 660	31.0 787	33.0 838					
B Valve Closed	15.7 400	18.7 475	19.9 506	24.0 610	27.2 690	30.4 773	34.3 872	40.0 1016	46.9 1192					
C Diameter Handwheel	9.8 250	9.8 250	13.8 350	15.7 400	19.7 500	19.7 500	20.6 600	27.6 700	31.5 800					
D Valve Port	2.0 51	2.5 64	3.0 76	4.0 102	5.0 127	6.0 152	7.875 200	9.75 248	11.75 298					
WEIGHT (Lbs) RF	99 45	142 64	172 78	297 135	466 212	605 275	946 430	1676 762	2224 1011					



## GLOBE VALVES CAST STEEL BOLTED BONNET ANSI CLASS 900



NO.	PARTS	MAERIALS
1	Handwhell Nut	ASTM A105
2	Handwheel	Ductile iron
3	Yoke Sleeve	ASTM A439 Tp. D2
4	Stem	ASTM A182 Gr. F6a
5	Gland Eyebolt Nut	ASTM A194 Gr. 2H
6	Gland Flange	ASTM A105
7	Gland	ASTM A182 Gr. F6a
8	Gland Eyebolt	ASTM A Gr.
9	Stem Packing	J. C 187-i Graphoil
10	Bonnet Stud Bolt	ASTM A193 Gr. B7
11	Bonnet Stud Bolt Nut	ASTM A194 Gr. 2H
12	Back-Seat Bushing	ASTM A182 Gr. F6a
13	Bonnet Gasket	Soft steel
14	Bonnet	ASTM A216 Gr. WCB
15	Body	ASTM A216 Gr. WCB
16	Disc	ASTM A216 + Cr13
17	Seat Ring	ASTM A105 A105 + Stellite

APPLICABLE CLASS 900 STANDARDS:  
Steel Valves, ANSI B16.34  
Face-to-Face, End-to-End, ANSI B16.10  
End Flanges, ANSI B16.5  
Weld Ends, ANSI B16.25

TESTS:  
API 598  
Shell; 3350 PSIG Hydrostatic  
Seat; 2440 PSIG Hydrostatic  
80 PSIG Air  
Other testing available upon request.

### DIMENSIONS IN INCHES & MILLIMETERS ( Approx. ):

SIZE	3" 80mm	4" 100mm	5" 130mm	6" 150mm	8" 200mm	10" 250mm							
A Face to Face RF	15.0 381	18.0 457	22.0 559	24.0 610	29.0 737	33.0 838							
A End to End BW	15.0 381	18.0 457	22.0 559	24.0 610	29.0 737	33.0 838							
B Valve Closed	23.4 595	26.7 678	29.1 740	34.9 886	40.0 1017	59.0 1500							
C Diameter Handwheel	15.7 400	19.7 500	19.7 500	23.6 600	27.6 700	27.6 700							
D Valve Port	2.875 73	3.875 98	4.75 121	5.75 146	7.5 191	9.375 238							
WEIGHT(Lbs) RF (kg)	253 115	440 200	682 310	902 410	1650 750	2640 1200							



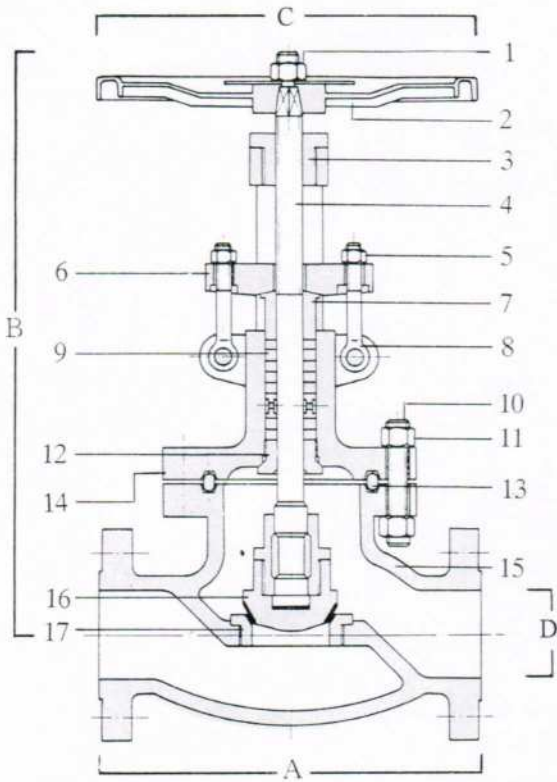


# ISUKA VALVE MFG. CO., LTD.

## GLOBE VALVES

### CAST STEEL BOLTED BONNET

#### ANSI CLASS 1500



NO.	PARTS	MAERIALS
1	Handwhell Nut	ASTM A105
2	Handwheel	Ductile iron
3	Yoke Sleeve	ASTM A439 Tp. D2
4	Stem	ASTM A182 Gr. F6a
5	Gland Eyebolt Nut	ASTM A194 Gr. 2H
6	Gland Flange	ASTM A105
7	Gland	ASTM A182 Gr. F6a
8	Gland Eyebolt	ASTM A Gr.
9	Stem Packing	J. C 187-i Graphoil
10	Bonnet Stud Bolt	ASTM A193 Gr. B7
11	Bonnet Stud Bolt Nut	ASTM A194 Gr. 2H
12	Back-Seat Bushing	ASTM A182 Gr. F6a
13	Bonnet Gasket	Soft steel
14	Bonnet	ASTM A216 Gr. WCB
15	Body	ASTM A216 Gr. WCB
16	Disc	ASTM A216 + CrB
17	Seat Ring	ASTM A105 A105 + Stellite

APPLICABLE CLASS 1500 STANDARDS:  
 Steel Valves, ANSI B16.34  
 Face-to-Face, End-to-End, ANSI B16.10  
 End Flanges, ANSI B16.5  
 Weld Ends, ANSI B16.25

TESTS:  
 API 598  
 Shell: 5575 PSIG Hydrostatic  
 Seat: 4075 PSIG Hydrostatic  
 80 PSIG Air  
 Other testing available upon request.

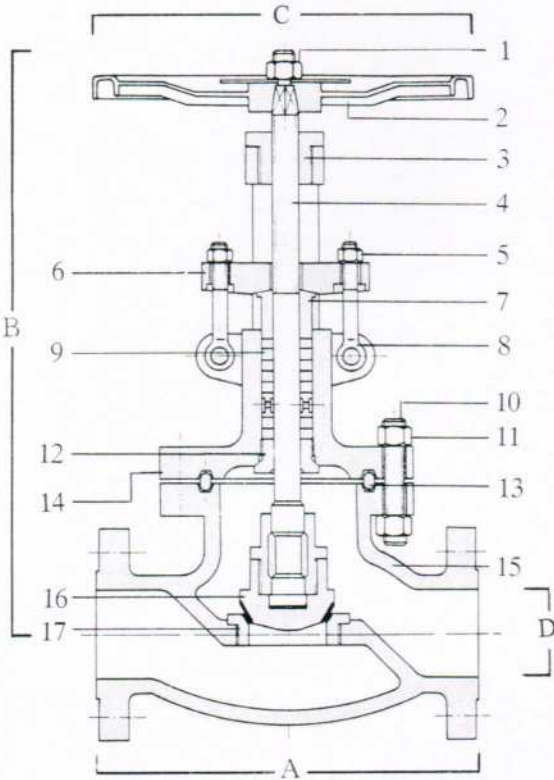
#### DIMENSIONS IN INCHES & MILLIMETERS ( Approx. ):

SIZE	2" 50mm	3" 80mm	4" 100mm	6" 150mm	8" 200mm	10" 250mm								
A Face to Face RF	14.5 368	18.5 470	21.5 546	27.75 705	32.75 832	39.0 991								
A End to End BW	14.5 368	18.5 470	21.5 546	27.75 705	32.75 832	39.0 991								
B Valve Closed	21.3 540	26.9 684	31.0 788	40.1 1019	46.3 1176	66 1676								
C Diameter Handwheel	13.8 350	19.7 500	23.6 600	27.6 700	31.5 800	35.4 900								
D Valve Port	1.875 48	2.75 70	3.625 92	5.375 137	7 178	8.75 222								
WEIGHT(Lbs) RF (kg)	208 94	405 184	675 306	1740 789	2080 943	3480 1579								

# ISUKA VALVE MFG. CO., LTD.



## GLOBE VALVES CAST STEEL BOLTED BONNET ANSI CLASS 2500



NO.	PARTS	MAERIALS
1	Handwhell Nut	ASTM A105
2	Handwheel	Ductile iron
3	Yoke Sleeve	ASTM A439 Tp. D2
4	Stem	ASTM A182 Gr. F6a
5	Gland Eyebolt Nut	ASTM A194 Gr. 2H
6	Gland Flange	ASTM A105
7	Gland	ASTM A182 Gr. F6a
8	Gland Eyebolt	ASTM A Gr.
9	Stem Packing	J. C 187-i Graphoil
10	Bonnet Stud Bolt	ASTM A193 Gr. B7
11	Bonnet Stud Bolt Nut	ASTM A194 Gr. 2H
12	Back-Seat Bushing	ASTM A182 Gr. F6a
13	Bonnet Gasket	Soft steel
14	Bonnet	ASTM A216 Gr. WCB
15	Body	ASTM A216 Gr. WCB
16	Disc	ASTM A216 + Cr13
17	Seat Ring	ASTM A105 A105 + Stellite

APPLICABLE CLASS 2500 STANDARDS:  
Steel Valves, ANSI B16.34  
Face-to-Face, End-to-End, ANSI B16.10  
End Flanges, ANSI B16.5  
Weld Ends, ANSI B16.25

TESTS:  
API 598  
Shell: 9275 PSIG Hydrostatic  
Seat: 6785 PSIG Hydrostatic  
80 PSIG Air  
Other testing available upon request.

### DIMENSIONS IN INCHES & MILLIMETERS ( Approx. ):

SIZE	2" 50mm	2-½" 65mm	3" 80mm	4" 100mm	6" 150mm								
A Face to Face RF	17.75 451	20 508	22.75 578	26.5 673	36 914								
A End to End BW	17.75 451	20 508	22.75 578	26.5 673	36 914								
B Valve Closed	25.5 648	27.6 702	32.4 823	38.6 980	49.6 1260								
C Diameter Handwheel	15.7 400	19.7 500	19.7 500	27.6 700	35.4 900								
D Valve Port	1.5 38	1.875 48	2.25 57	2.875 73	4.375 111								
WEIGHT(Lbs) RF (kg)	230 104	425 193	740 336	1680 762	3400 1542								