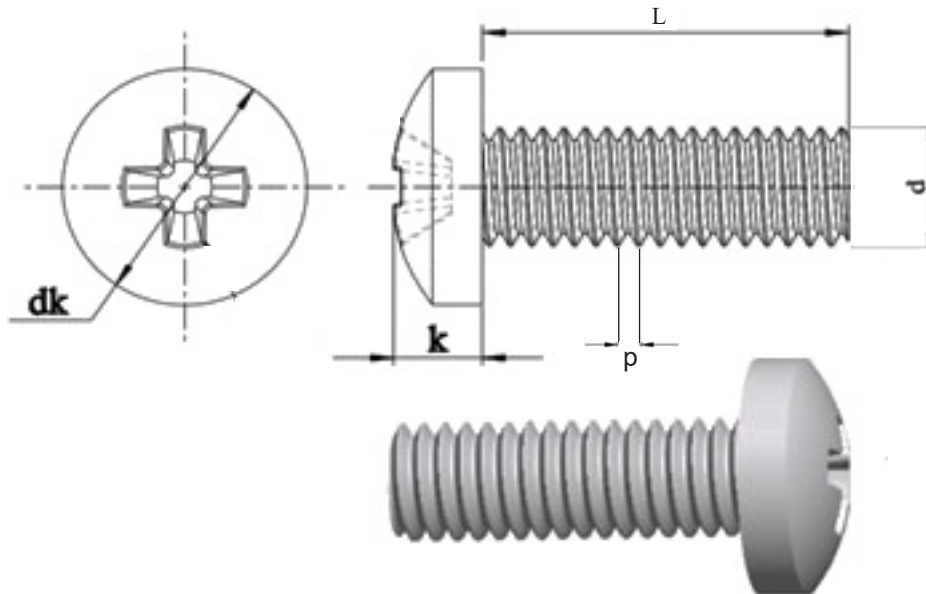


RoHS
Compliant

Material Features

- High toughness, Wear resistance, Corrosion resistance.
- Good electrical insulation.
- High and low temperature resistance.
- Excellent UV resistance.
- High Mechanical strength.

Dimensions



Dimensions : Millimetres

Specifications

Thread Diameter (d)	Pitch (p)	Head diameter (dk)	Head thickness (k)	Thread Length (L)
M3	0.5	5.3 to 5.6	2.26 to 2.4	6, 10, 16, 20
M4	0.7	7.64 to 8	2.92 to 3.1	6, 10, 16, 20
M5	0.8	9.14 to 9.5	3.52 to 3.7	10
M6	1	11.57 to 12	4.3 to 4.6	10, 16, 20

Part Number Table

Description	Part Number
Cross Pan Head Screw, Nylon, Natural, M3X6	MP008105
Cross Pan Head Screw, Nylon, Natural, M3X10	MP008106
Cross Pan Head Screw, Nylon, Natural, M3X16	MP008107
Cross Pan Head Screw, Nylon, Natural, M3X20	MP008108
Cross Pan Head Screw, Nylon, Natural, M4X6	MP008109
Cross Pan Head Screw, Nylon, Natural, M4X10	MP008110
Cross Pan Head Screw, Nylon, Natural, M4X16	MP008111
Cross Pan Head Screw, Nylon, Natural, M4X20	MP008112
Cross Pan Head Screw, Nylon, Natural, M5X10	MP008113
Cross Pan Head Screw, Nylon, Natural, M6X10	MP008114
Cross Pan Head Screw, Nylon, Natural, M6X16	MP008115
Cross Pan Head Screw, Nylon, Natural, M6X20	MP008116

Important Notice : This data sheet and its contents (the "Information") belong to the members of the AVNET group of companies (the "Group") or are licensed to it. No licence is granted for the use of it other than for information purposes in connection with the products to which it relates. No licence of any intellectual property rights is granted. The Information is subject to change without notice and replaces all data sheets previously supplied. The Information supplied is believed to be accurate but the Group assumes no responsibility for its accuracy or completeness, any error in or omission from it or for any use made of it. Users of this data sheet should check for themselves the Information and the suitability of the products for their purpose and not make any assumptions based on information included or omitted. Liability for loss or damage resulting from any reliance on the Information or use of it (including liability resulting from negligence or where the Group was aware of the possibility of such loss or damage arising) is excluded. This will not operate to limit or restrict the Group's liability for death or personal injury resulting from its negligence. Multicomp Pro is the registered trademark of Premier Farnell Limited 2019.