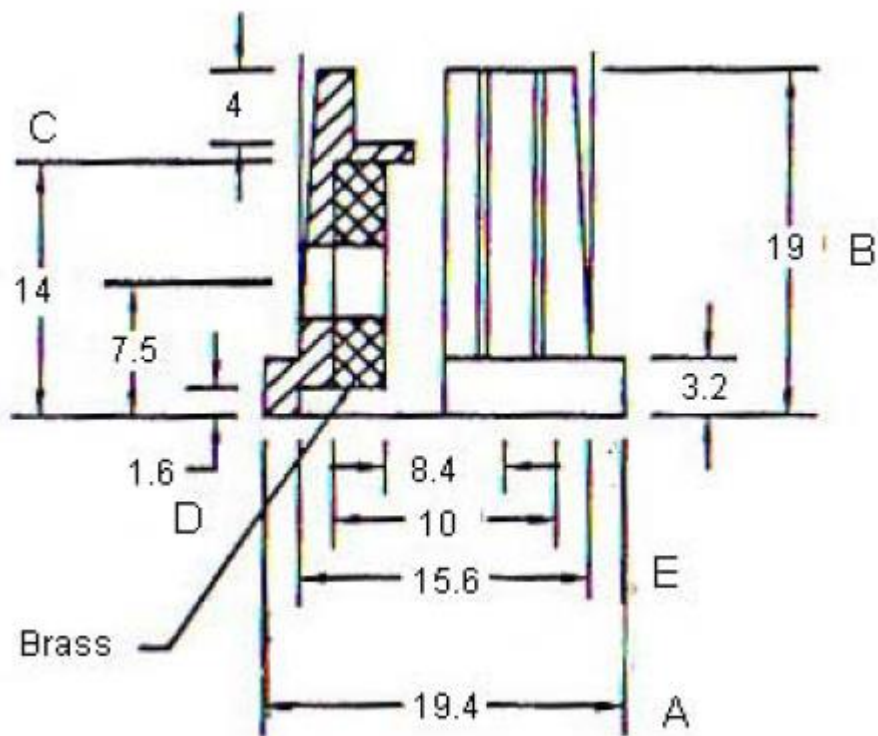


Datasheet Potentiometer Knob

RS Stock number [465-9381](#)

Dimensions(mm):



Specifications:

- Material: Plastic
- Tolerance: +/- 0.20
- Colour: Black
- Shaft: 6.4D Shaft