

FEATURES

- Connector A is USB-C male connector
- Connector B is HDMI Type A female connector
- Both connectors are shell-plated nickel
- Colour is white
- Cable length of 10 cm
- Plug and play design

RS PRO USB 3.1 C Type Male to HDMI Female Network Adapter

RS Stock No.: 895-0546



RS Professionally Approved Products bring to you professional quality parts across all product categories. Our product range has been tested by engineers and provides a comparable quality to the leading brands without paying a premium price.

Product Description

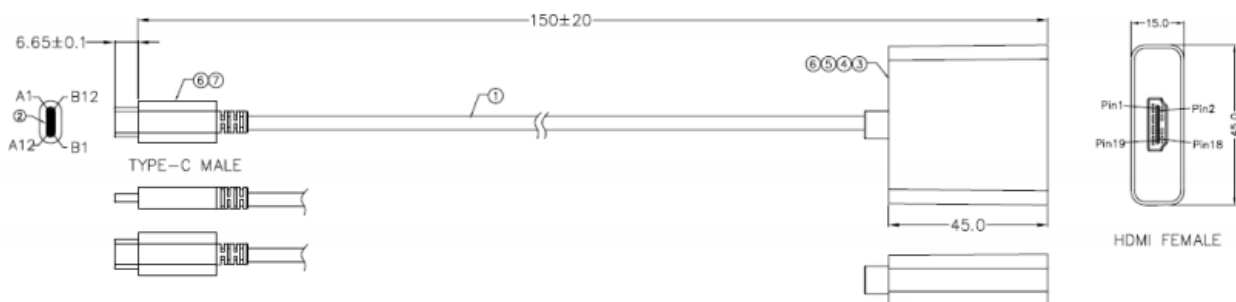
This network adapter enables you to display output from a USB-C enabled smartphone, tablet or computer on any device which accepts HDMI input. You can also use it to create a multi-monitor setup for Windows laptops and Macs.

General Specifications

Connector A	USB 3.1 C Type Male
Connector B	HDMI Female
Connector A Gender	Male
Connector B Gender	Female
Connector A Type	USB 3.1 C
Connector B Type	HDMI
Colour	White
Body Orientation	Straight
Accessory Type	Gender Changer
Applications	Suitable for laptops, smartphones, tablets and MP3 players

Approvals

Compliance/Certifications	EN61340
----------------------------------	---------



7	INNER MOLD	LD-PE	
6	OVER MOLD	TPE COLOR: WHITE	
5	ABS SHELL	HDMI WITHE ABS HOOD	
4	PCBA	USB C TYPE TO HDMI PCBA	
3	CONNECTOR 2	HDMI FEMALE PIN G/F,SHELL PLATED NICKEL	
2	CONNECTOR 1	USB3.1 C TYPE MALE PIN G/F,SHELL PLATED NICKEL	
1	CABLE	USB3.1 CABLE (32AWG*1P+DW+AL+HM)*4C+(32AWG*1P+2D+AL)*1C +32AWG*4C+26AWG*1C+F+AB+JACKET OD: 4.5±0.15mm TPE WHITE	
NO.	PART NAME	SPEC DESCRIPTION	REMAKE

PIN ASSIGNMENT:

