

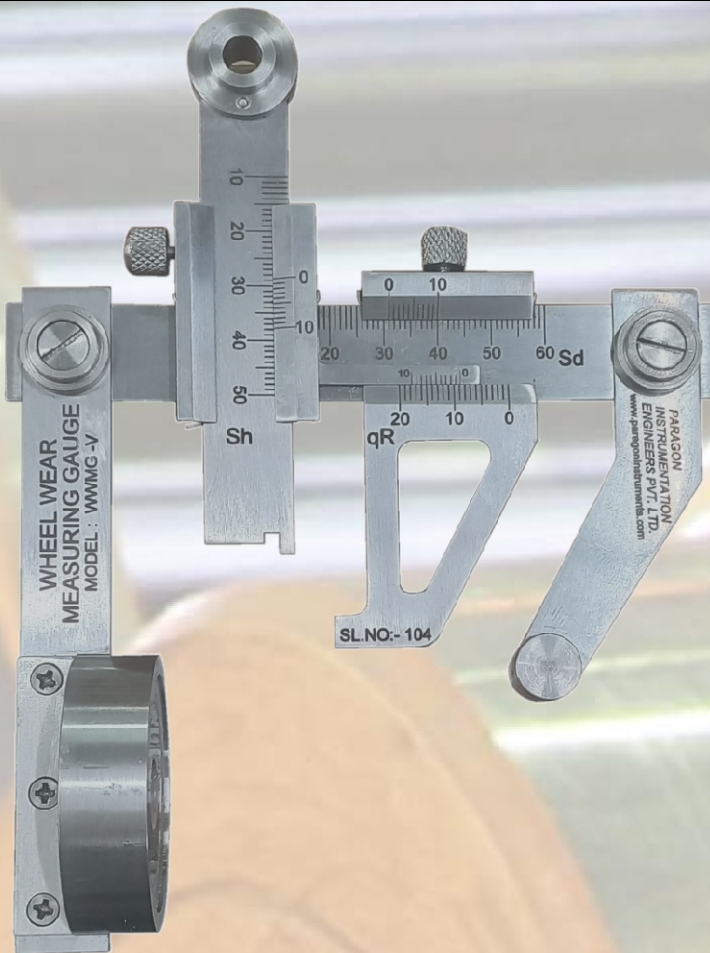
MULTIPURPOSE WHEEL WEAR MEASURING GAUGE MODEL WWMG-V



'PIE' make Multipurpose Wheel Wear Measuring Gauge Model WWMG-V, is suitable for measuring flange thickness, flange height and qR value. The gauge features a magnetic attachment for stable mounting onto the wheel. The gauge is made up of stainless steel.

Technical Specifications:-

Parameters	Values
Least Count	0.1 mm
Flange Thickness 'Sd'	20 mm to 50 mm
Flange Height 'Sh'	10 mm to 40 mm
Flange Gradient 'qR'	0 mm to 20 mm
Accuracy of Gauge	± 0.1 mm
Measuring point	Standard 70 mm (others on special request)



- ROBUST
- ACCURATE
- LONG LASTING

The gauge is supplied in well finished padded case.

Paragon Instrumentation Engineers Pvt. Ltd.

200, Station Road, ROORKEE – 247667, Mobile No.: 01332-350001, +91-9760091791-92

Branch : Noida

website : www.paragoninstruments.com