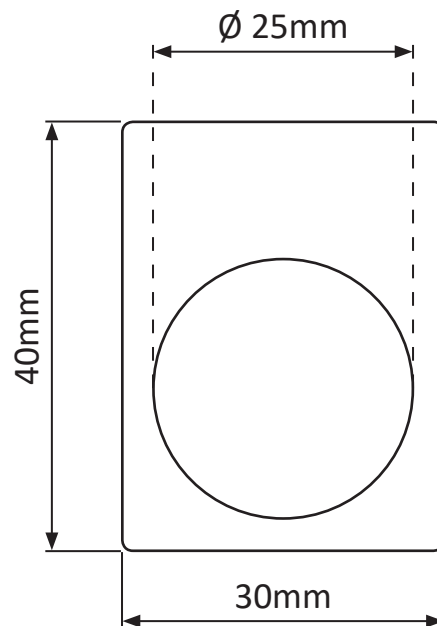
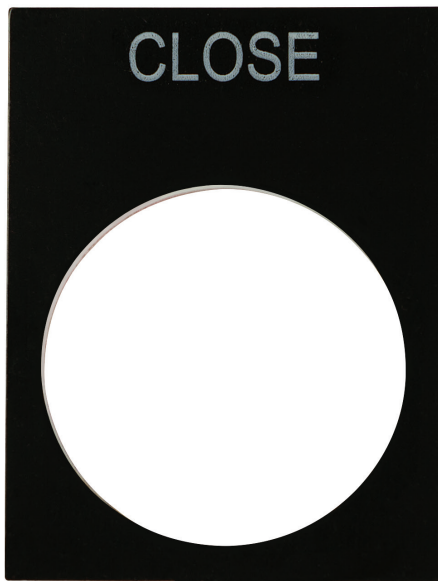


Datasheet

Stock No: 175-3955

Legend Plate with “CLOSE” Marking



Specifications:

- Product Type: Legend Plate
- Product Category: Marking Accessory
- Compatible with: Ø 22.5mm Control or Signalling Unit
- Dimensions: 30mm x 40mm
- Marking: “CLOSE”
- Language: English