



ENGLISH

**Product Datasheet**

**Anti-Vandal Switch**

**Switch Pushbutton Stainless 12mm Maintained**

**Stock No:111-6519**



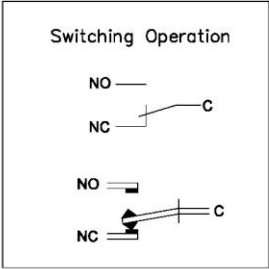
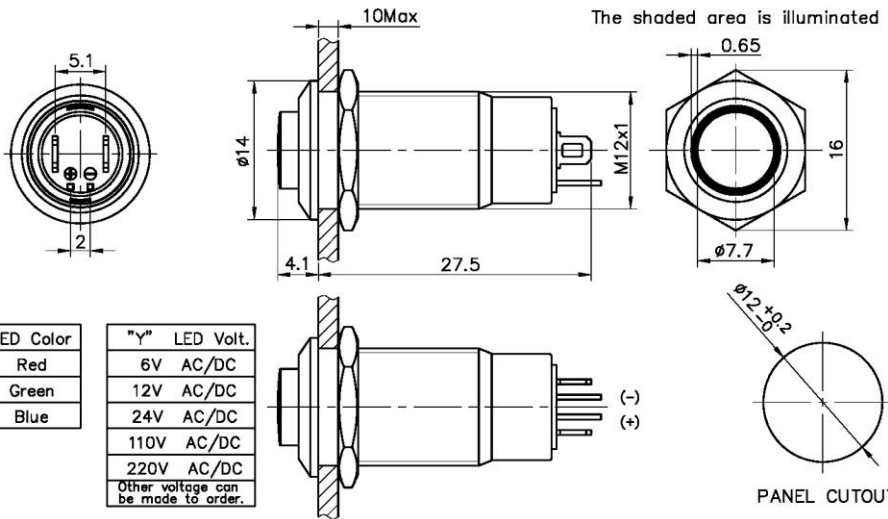
**Package Contain:**

- 1 x Anti-Vandal Switch
- 1 x Hex Nut
- 1 x O-Ring

**Specification:**

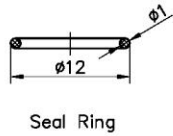
SWITCH TYPE:		1116519
POLES/THROWS:		SPST
SWITCH FUNCTIONS:		OFF-ON
ELECTRICAL CHARACTERISTICS	CONTACT RATING:	MAX. 1Amps @ 36VDC
	ELECTRICAL LIFE:	50,000 make-and-break cycles at full load
	CONTACT RESISTANCE:	50m-ohms max. initial @ 2-4VDC, 100mA
	INSULATION RESISTANCE:	Apply 500VDC for 1min±5sec. After which measurement to be made b/w terminals shall result 1,000M-ohms min.
	DIELECTRICAL STRENGTH:	1,500VAC (50Hz-60Hz) RMS @ sea level shall result no damage to parts arcing or flashover
	OPERATING TEMPERATURE:	-20Celsius degree to +55Celsius degree
RELIABILITY PERFORMANCE	MECHANICAL LIFE:	Without load, 50,000cycles min.
	TORQUE:	0.6Nm max. applied to nut
	PANEL THICKNESS:	10mm max.
	OPERATING FORCE:	3.5N max.
	OPERATING TRAVEL:	2.5+/-0.2mm
	IP PROTECTION CLASS:	Front panel protection to IP40
	IMPACT RESISTANCE:	IK08
	SOLDERING HEAT RESISTANCE:	Max soldering temperature @ 260Celsius degree, immersion time 5+/-1sec, frequency of soldering process @ 2 times max.
	COLD TEST:	Stored at temperature -20(+/-3)Celsius degree for 48 hours, shall result no changes to switch's electrical performance
	HOT TEST:	Stored at temperature +55(+/-3)Celsius degree for 48 hours, shall result no changes to switch's electrical performance
HUMIDITY TEST:	Stored at temperature 40(+/-3)Celsius degree with relative humidity 90%~95% for 48 hours, shall result no changes to switch's electrical performance	

MATERIAL CHARACTERISTICS	BUTTON:	B42 : Stainless steel with varnished polished
	BUSHING:	
	BASE:	PA
	PLUNGER:	POM
	SPRING:	Steel wire
	CONTACT:	Copper alloy, silver plated
	TERMINALS:	Brass, silver plated
	HARDWARE:	Nut (Brass, nickel plated)
	LED:	Red, (AC/DC Compatible) Voltage & Rating: 24V @ 15mA With an outer resistor
SOLDERING & CLEANING RECOMMENDATION	HAND SOLDERING:	Max. temperature @ 320Celsius degree (608F)with continuous soldering time @ 2sec. max.
	CLEANING PROCESS:	Noted, the switch is “not totally sealed” so it is important not to immerse/spray or clean unsealed areas of the switch during flux removal. Improper cleaning could cause switch deficiencies such as intermittence or open contact failures
PACKAGE	INTERNAL PACKAGING:	1pcs per PE bag
	RoHS IDENTIFICATIONS:	A label marking “RoHS compliant” will be attached to the carton box.



"X"	LED Color
R	Red
G	Green
B	Blue

"y"	LED Volt.
	6V AC/DC
	12V AC/DC
	24V AC/DC
	110V AC/DC
	220V AC/DC
Other voltage can be made to order.	



PANEL CUTOUT