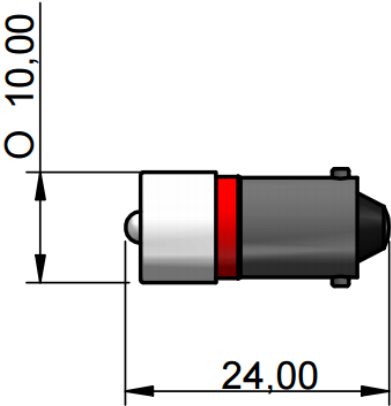


Datasheet

LED Indicator Lamp

RS ITEM NO 212-503



LED/Multiled	LED	Optimum voltage (V)	28vac/dc	Intensity	1750mcd
Mounting Size	10x25mm	Rectifier	Bridge Rectifier		
Mounting Finish	Ba9s	AC current	9mA		
Protection		DC current	17mA (max)		
Mount Holder	Ba9s	Voltage Tolerance(%)	10%		
Chip Qty	1	Optimum temperature (°C)	-30°C...+60°C		
Indicator colour	Red	Storage temperature (°C)	-30°C...+60°C		
Wavelength (nm)	630	Contact Tab x 2	Ba9s Cap		



Dimension in mm (typical), not to scale.
 We reserve the right to make changes without further notice to this product to improve reliability, function or design.