

## Features

- Battery connector module
- Colour coded Red
- Voltage rated to 600V
- Current rated to 6A
- Polycarbonate housing
- Copper contacts
- Stainless Steel springs
- Operating temperature range of -20 to 125°C

## RS PRO Battery Connectors- Male 2 Way Battery Connector

RS Stock No.: 175-6960



RS Professionally Approved Products bring to you professional quality parts across all product categories. Our product range has been tested by engineers and provides a comparable quality to the leading brands without paying a premium price.

## Product Description

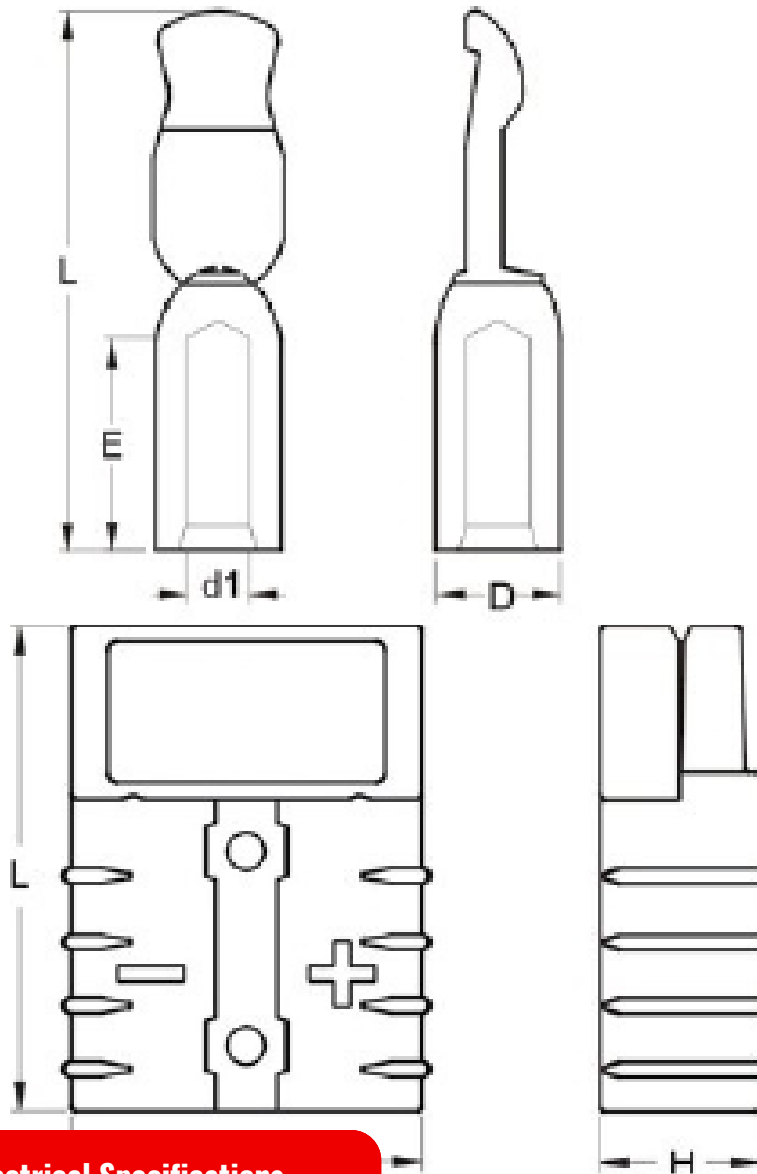
A tough 2 pole battery connector housing supplied with 2 Stainless Steel springs, colour coded red for easy identification and prevent mistakes when mating.

## General Specifications

Contact:	
Contact Material	Copper
Maximum Electric Current	6 A.W.G./95 AMP.
Housing	
Operating Temperature Range	-20°C ~ +125°C
Maximum Electrical Rating	600 Volts Max
Housing Material	Polycarbonate
Spring Material	Stainless Steel
Colour	Red
Wire Range	6 A.W.G./14mm <sup>2</sup> two contacts with one 50 amp series housing

## Mechanical Specifications

Housing	Housing with two springs, can be used with 50amp series contacts
Length	1.89in/48mm
Width	1.374inch/34.9mm
Height	0.626in/15.9mm
Contact	Two contacts with one 50 amp series housing
Length	1.169in/29.7mm
E	0.472in/12mm
D1	0.22in,5.6mm
D	0.28in/7.1mm



## Electrical Specifications