

## FEATURES

- Ideal for general purpose use. Contacts are polarised to ensure correct connection
- Easy jab-in connection for rapid termination
- Miniature connector size
- IEC colour coded
- The International Electrotechnical Commission (IEC) is an international standards organisation that prepares and publishes international standards.

# RS PRO Miniature Quick Wire Connector Thermocouple IM-J-MQ Plug Type J IEC

RS Stock No.: 381-7413



RS Professionally Approved Products bring to you professional quality parts across all product categories. Our product range has been tested by engineers and provides a comparable quality to the leading brands without paying a premium price.

## Product Description

*Miniature connector with flat plug pins. Easy jab-in connection for rapid termination. Just push-in wire & tighten screw.*

## General Specifications

<b>General Description</b>	Easy jab-in connection for rapid termination.
----------------------------	---

## Specifications

<b>Thermocouple Type</b>	J IEC
<b>Connector Type</b>	Quick Wire Plug
<b>Connector Size</b>	Miniature
<b>Colour</b>	Black
<b>Max. Temperature</b>	220°C
<b>Pins</b>	Flat Pins
<b>+ Positive Contact</b>	Iron
<b>-Negative Contact</b>	Copper Nickel

## Approvals

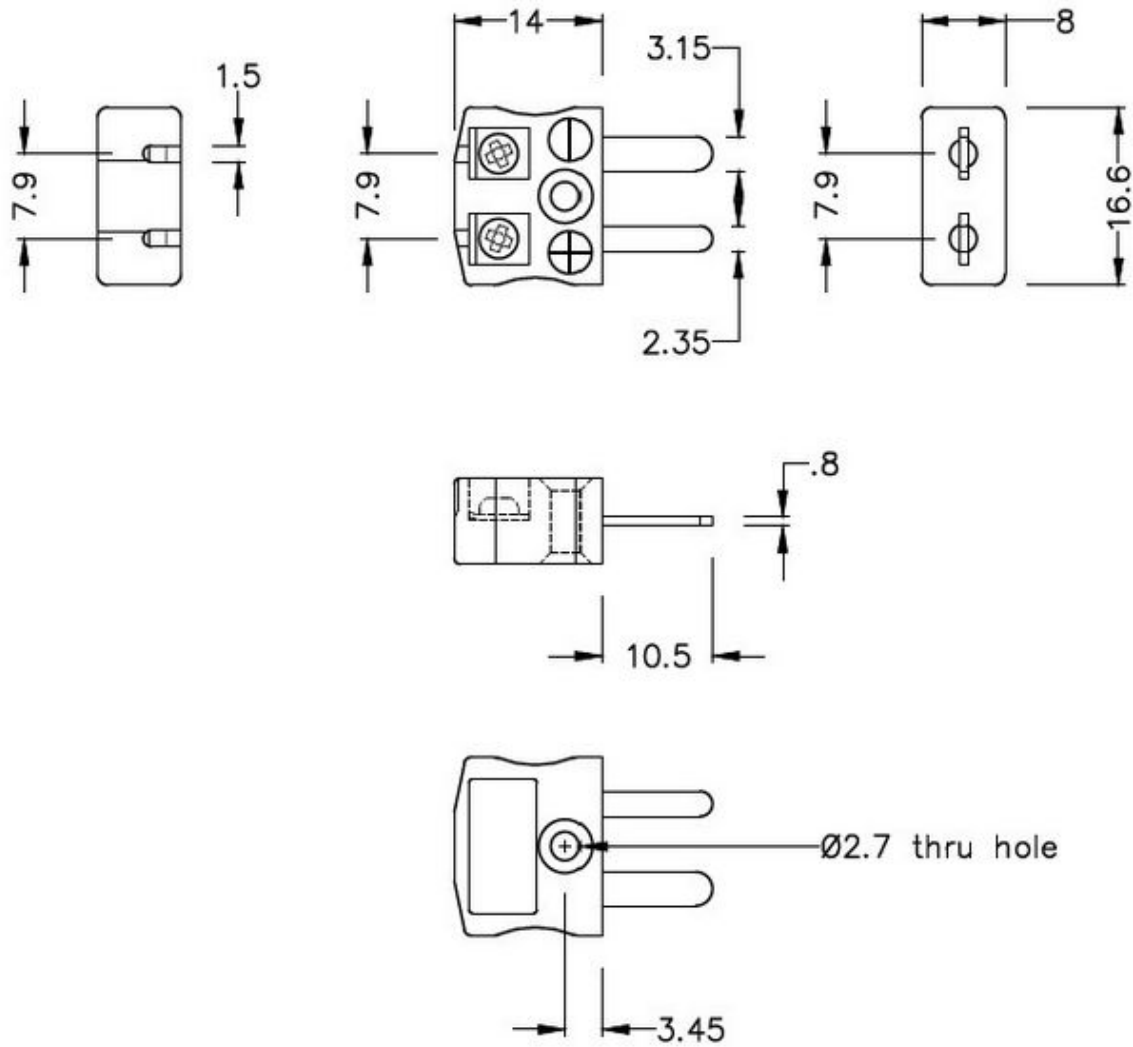
<b>RoHS Compliant</b>	Yes
<b>Standards Met</b>	BS EN 50212:1997. RoHS

## Thermocouple Connectors Product Guide

A comprehensive family of miniature and standard Thermocouple Connectors, accessories, panels, terminal and barrier blocks. Available in IEC, ANSI & JIS colour specifications.

[Click below to view:](#)

[RS Pro Thermocouple Connector Selection Guide](#)



**Miniature in-line Plug - Quick Wire**  
(dimensions in mm)

RS Components is a leading provider for Automation and Control Gear, below is a selection of best selling products:

<p style="text-align: center;"><b>rspro.com</b></p> <div style="text-align: center;"> </div> <p style="text-align: center;"><b>Temperature. It matters</b></p>	<p style="text-align: center;"><b>Calibration</b></p> <p>Whether it's existing equipment or a new purchase, you need to have confidence in the accuracy of your measurements.</p> <p>That's where our calibration service can help.</p> <p>Purchase new products with confidence.</p> <p>A certificated calibrated sensor straight out of the box, ready to use.</p> <div style="text-align: center;"> <p><b>RTD Detectors</b></p> </div> <p>Wire-wound type provides greater accuracy and stability but are vulnerable to shock.</p> <p>Flat film type are resistant to shock and have quicker thermal response times.</p> <p>Various lengths and diameters available, in class A, B and 1/10th Din.</p>	<p style="text-align: center;"><b>Best Sellers</b> </p> <div style="display: flex; align-items: flex-start;"> <div> <p><b>ANSI SYSCAL Type K Mineral Insulated Thermocouple</b> RS 181-7296</p> </div> </div> <div style="display: flex; align-items: flex-start; margin-top: 10px;"> <div> <p><b>IEC SYSCAL Type K Mineral Insulated Thermocouple</b> RS 181-7288</p> </div> </div> <div style="display: flex; align-items: flex-start; margin-top: 10px;"> <div> <p><b>IEC SYSCAL Type J Mineral Insulated Thermocouple</b> RS 181-7305</p> </div> </div>
<div style="display: flex; align-items: flex-start;"> <div> <p><b>Exposed Junction Thermocouples</b></p> <p>Including exposed junctions with fitted or moulded miniature plug and insulated leads, ideal for test and development applications.</p> <p>1, 2, 3, 5 &amp; 10m lengths available in IEC or ANSI colours.</p> </div> </div> <div style="display: flex; align-items: flex-start; margin-top: 10px;"> <div> <p><b>ANSI Type K Exposed Junction</b> RS 814-0134 Allied 70656459</p> </div> </div> <div style="display: flex; align-items: flex-start; margin-top: 10px;"> <div> <p><b>ANSI Type K High Temp Exposed Junction</b> RS 131-4749 Allied 71080908</p> </div> </div> <div style="display: flex; align-items: flex-start; margin-top: 10px;"> <div> <p><b>IEC Type K Exposed Junction</b> RS 363-0250 Allied 70643600</p> </div> </div>	<div style="display: flex; align-items: flex-start;"> <div> <p><b>Fabricated and Specialist Thermocouples</b></p> <p>Styles include; Magnet, Washer, Nozzle, Leaf, Bayonet &amp; Bolt thermocouple. Various lengths and calibration types available.</p> </div> </div>	<p style="text-align: center;"><b>Best Sellers</b> </p> <div style="display: flex; align-items: flex-start;"> <div> <p><b>Magnet Thermocouple</b> RS 762-1115 Allied 70651739</p> </div> </div> <div style="display: flex; align-items: flex-start; margin-top: 10px;"> <div> <p><b>Heavy Duty Thermocouple</b> RS 762-1128 Allied 70651743</p> </div> </div> <div style="display: flex; align-items: flex-start; margin-top: 10px;"> <div> <p><b>Rubber Patch Thermocouple</b> RS 290-5036 Allied 70642886</p> </div> </div>
<div style="display: flex; align-items: flex-start;"> <div> <p><b>Thermocouple &amp; PRT Cable</b></p> <p>Thermocouple cables are available in IEC or ANSI colour codes. Insulation types include PFA, PTFE, PVC &amp; Fibreglass. Available spool lengths include 10, 25, 50, 100 and 200m.</p> </div> </div> <div style="display: flex; align-items: flex-start; margin-top: 10px;"> <div> <p><b>IEC PVC Insulated Flat Pair</b> RS 219-4573 Allied 70641630</p> </div> </div> <div style="display: flex; align-items: flex-start; margin-top: 10px;"> <div> <p><b>ANSI PFA Insulated Twin Twisted</b> RS 814-0030 Allied 70656106</p> </div> </div> <div style="display: flex; align-items: flex-start; margin-top: 10px;"> <div> <p><b>IEC Glassfibre Insulated Flat Pair</b> RS 236-3836 Allied 70641730</p> </div> </div>	<p style="text-align: center;"><b>Thermocouple Connectors</b></p> <p>Range of miniature or standard thermocouple connectors. Available in thermocouple types K, J, T, E, N, RS, B, and copper. IEC, ANSI &amp; JIS colour codes available.</p>	<p style="text-align: center;"><b>Best Sellers</b> </p> <div style="display: flex; align-items: flex-start;"> <div> <p><b>IEC Thermocouple Plug</b> RS 455-9764 Allied 70644391</p> </div> </div> <div style="display: flex; align-items: flex-start; margin-top: 10px;"> <div> <p><b>ANSI Thermocouple Socket</b> RS 769-1127 Allied 70652125</p> </div> </div> <div style="display: flex; align-items: flex-start; margin-top: 10px;"> <div> <p><b>IEC Thermocouple PCB Socket</b> RS 381-7570 Allied 70643749</p> </div> </div>

RS Components is a leading provider for Automation and Control Gear, below is a selection of best selling products:

 <p><b>Mineral Insulated Thermocouples</b></p> <p>Available in various calibration types with a variety of terminations. These include; Thermocouple plugs, Terminal heads and Thermocouple cable</p>	<p><b>Best Sellers</b> </p> <p><b>IEC Thermocouple with PTFE Cable</b> RS 397-1236 Allied 70643843</p> <p><b>IEC Thermocouple with Mini Plug</b> RS 397-1488 Allied 70643863</p> <p><b>ANSI Thermocouple with PFA Cable</b> RS 847-1019 Allied 70658112</p>	 <p><b>NEW PRODUCTS</b></p> <p>RS PRO, the own brand of RS Components, offers an unbeatable range of products across all industries with quality you can trust.</p> <p>New products are constantly added to improve the offering of our product range.</p>	<p><b>NEW PRODUCTS</b> </p> <p><b>Brake Pad Temp Sensor</b> RS 200-0601 Allied 72173869</p> <p><b>RTD Temp Sensor Hirschmann Style</b> RS 200-0594 Allied 72173862</p> <p><b>Washer Thermocouple</b> RS 200-0616 Allied 72173882</p>
 <p><b>Sensors with Industrial Terminal Heads</b></p> <p>Industrial sensors housed in a stainless steel sheath and terminal head protection to IP67. Available as a thermocouple or Pt100.</p>	<p><b>Best Sellers</b> </p> <p><b>Type K 300mm Long</b> RS 787-7829 Allied 70653306</p> <p><b>Type K 200mm Long</b> RS 787-7816 Allied 70653303</p> <p><b>Type K 100mm Long</b> RS 787-7804 Allied 70653235</p>	<p><a href="http://www.rspro.com">www.rspro.com</a></p>  <p><a href="http://www.alliedelec.com">www.alliedelec.com</a></p>	
 <p><b>L60 Fine Wire Thermocouple Welder</b></p> <p>The Thermocouple Welder is a compact, simple-to-use instrument designed for thermocouple and fine wire welding. Supplied with foot switch, spare electrodes, pliers &amp; safety glasses, impact clip and pen plate.</p>	<p><b>Best Sellers</b> </p> <p><b>L60 Fine Wire Thermocouple Welder</b> RS 363-0351 Allied 70825788</p> 		