



## Main

Range compatibility	Lexium 28
Product or component type	Servo motor
Device short name	BCH2

## Complementary

Maximum mechanical speed	3000 rpm
[Us] rated supply voltage	220 V
Network number of phases	Three phase
Continuous stall current	16.49 A
Continuous stall torque	19.1 N.M for LXM26D at 19.8 A, 220 V, three phase 19.1 N.m for LXM28... at 19.8 A, 220 V, three phase
Continuous power	3000 W
Peak stall torque	57.29 N.M for LXM26D at 19.8 A, 220 V, three phase 57.29 N.m for LXM28... at 19.8 A, 220 V, three phase
Nominal output power	3000 W for LXM26D at 19.8 A, 220 V, three phase 3000 W for LXM28... at 19.8 A, 220 V, three phase
Nominal torque	19.1 N.M for LXM26D at 19.8 A, 220 V, three phase 19.1 N.m for LXM28... at 19.8 A, 220 V, three phase
Nominal speed	1500 rpm for LXM26D at 19.8 A, 220 V, three phase 1500 rpm for LXM28... at 19.8 A, 220 V, three phase
Maximum current Irms	58.4 A for LXM26D at 3 kW, 220 V 58.4 A for LXM28... at 3 kW, 220 V
Maximum permanent current	18.8 A
Product compatibility	LXM26D servo drive motor at 3 kW, 220 V, three phase LXM28... servo drive motor at 3 kW, 220 V, three phase
Shaft end	Keyed
Shaft diameter	35 mm
Shaft length	79 mm
Key width	10 mm
Feedback type	20 bits single turn absolute encoder
Holding brake	Without
Mounting support	Asian standard flange
Motor flange size	180 mm
Electrical connection	Connector MIL
Torque constant	1.16 N.m/A at 20 °C
Back emf constant	70 V/krpm at 20 °C
Rotor inertia	53.56 kg.cm <sup>2</sup>
Stator resistance	0.234 Ohm at 20 °C
Stator inductance	4.9 mH at 20 °C
Stator electrical time constant	20.94 ms at 20 °C
Maximum radial force Fr	1200 N at 1500 rpm

Maximum axial force Fa	497 N
Brake pull-in power	49.6 W
Type of cooling	Natural convection
Length	202 mm
Number of motor stacks	2
Centring collar diameter	114.3 mm
Centring collar depth	4 mm
Number of mounting holes	4
Mounting holes diameter	13.5 mm
Circle diameter of the mounting holes	200 mm
Distance shaft shoulder-flange	4 mm
Product weight	18.5 kg

## Environment

IP degree of protection	IP50 IM V3 IP65 IM B5, IM V1
Ambient air temperature for operation	-20...40 °C

## Packing Units

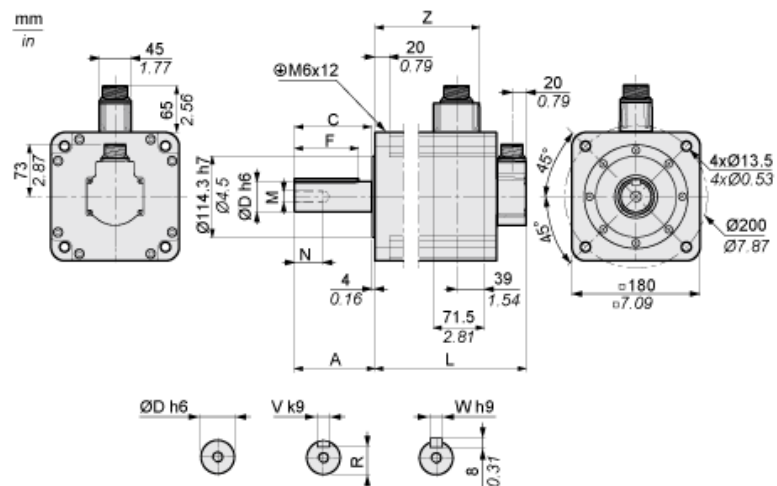
Unit Type of Package 1	PCE
Number of Units in Package 1	1
Package 1 Height	25.3 cm
Package 1 Width	30.0 cm
Package 1 Length	56.6 cm
Package 1 Weight	21.64 kg

## Offer Sustainability

Sustainable offer status	Green Premium product
REACH Regulation	<a href="#">REACH Declaration</a>
REACH free of SVHC	Yes
EU RoHS Directive	Pro-active compliance (Product out of EU RoHS legal scope) <a href="#">EU RoHS Declaration</a>
Mercury free	Yes
China RoHS Regulation	<a href="#">China RoHS Declaration</a>
RoHS exemption information	<a href="#">Yes</a>
Environmental Disclosure	<a href="#">Product Environmental Profile</a>
Circularity Profile	<a href="#">End Of Life Information</a>
WEEE	The product must be disposed on European Union markets following specific waste collection and never end up in rubbish bins
PVC free	Yes
California proposition 65	WARNING: This product can expose you to chemicals including: Lead and lead compounds, which is known to the State of California to cause cancer and birth defects or other reproductive harm. For more information go to <a href="http://www.P65Warnings.ca.gov">www.P65Warnings.ca.gov</a>

Dimensions

Dimensions of Motor



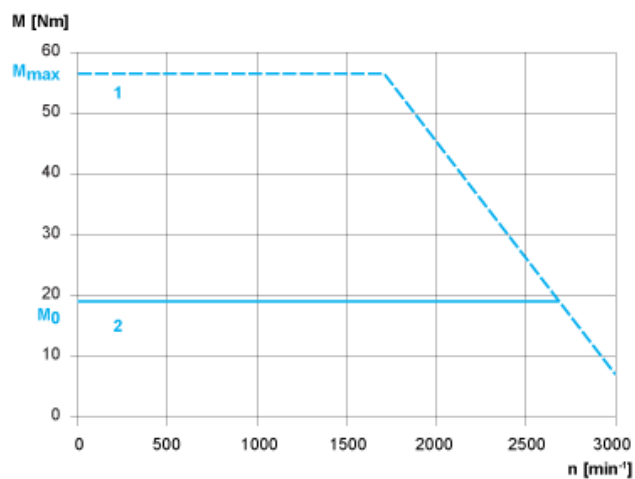
	mm	in.
L (without holding brake)	202	7.95
L (with holding brake)	235	9.25
A	79	3.11
C	73	2.87
D	35	1.38
F	63	2.48
N	28	1.10
M	M12	
R	30	1.18
V	10	0.39
W	10	0.39
Z	136	5.35

---

Torque/Speed Curves with 230 V Three Phase Supply Voltage

---

Servo Motor with LXM28AU30●●● Servo Drive



- 1 : Peak torque
- 2 : Continuous torque