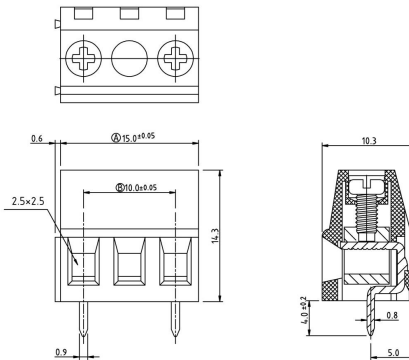




# Datasheet

ENGLISH

## 10mm Pitch Standard Profile Rising Clamp Terminal



TYPE NO.	POLES	LENGTH
8970963	2	15.2mm
8970966	3	25mm
8970960	4	35mm
8970979	5	45mm
8970972	6	55mm
8970976	7	75mm
8970985	8	85mm
8970988	9	95mm
8970982	10	105mm
8970991	11	115mm
8970994	12	125mm

- 2-12 pole interlocking terminal block with pin spacing of 10mm for high voltage operation
- Moulded in green UL94-V0 flame retardant PA66
- Professional rising clamp terminals
- 0.32-3.3 mm<sup>2</sup> (22-12 AWG)
- Guided pin alignment
- Captive screw

SPECIFICATION	
Rating	10A 300V
Insulation resistance	5000MΩ/1000V
Withstand Voltage	AC1500V/1min
Contact Resistance	20mΩ
Working Temperature	-33°C to +120°C
Mouldings	UL94-V0 flame retardant PA66
Pin/Terminal	Tin plated brass
Wire Clamp	Nickel plated brass
Screw/Torque	M2.5 Steel, Nickel Plated 0.4Nm
Recommended PCB hole size	ø1.5mm