



ENGLISH

Datasheet

RS Article:1854773

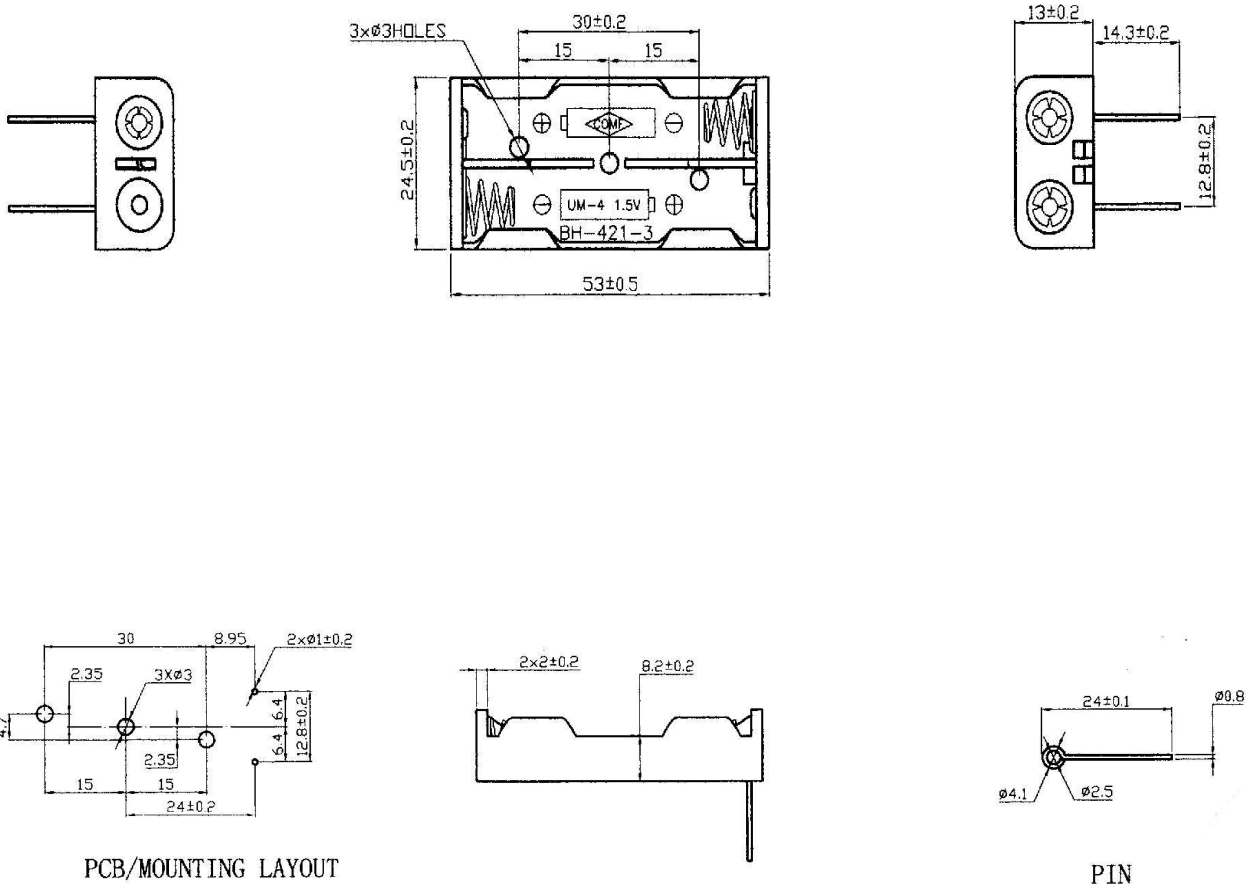
RS Pro Battery Holder



1. Preface:

The purpose of this product specification is to Dimension and drawing

AAA x 2 with PIN



SPECIFICATION

- (1) ITEM NO: 1854773
- (2) PIN: $\phi 0.8 \times 24$ MM
- (3) MATERIAL: P.P. RESIN , BLACK COLOR
- (4) SPRING: #4 0.6MM 65C SPRING WIRE

Measure: mm