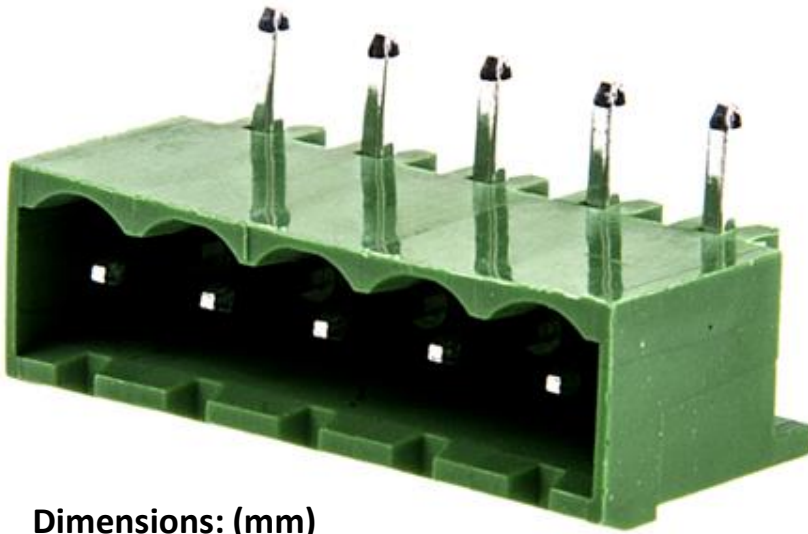


Datasheet

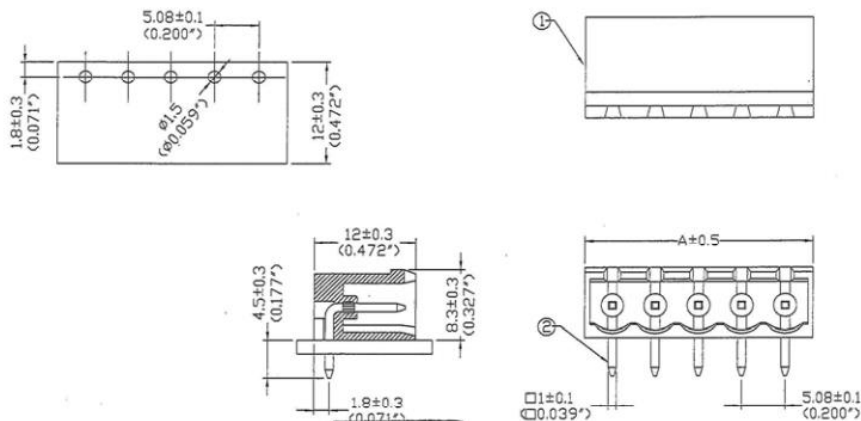
5 way 5.08mm terminal block header

RS Stock 790-1004



Dimensions: (mm)

PCB Layout



Specification

Current Rating: 16Amp AC300V

Insulation Withstands Volts: AC2000V Min

Insulation Resistance: >2000M Ω DC500V

Operation Temperature: -40°C to + 105°C

Material

Insulating Body: Polyamide 66 (UL94V-0)

Solder Pin: Brass / Finish: Tin Plating