

Main

| | |
|---------------------------|---------------------|
| Range of product | Zelio Logic |
| Product or component type | Compact smart relay |

Complementary

| | |
|--------------------------------|---|
| Local display | Without |
| Number of control scheme lines | 0...240 with ladder programming 0...500 with FBD programming |
| Cycle time | 6...90 ms |
| Backup time | 10 years at 25 °C |
| Clock drift | 12 min/year at 0...55 °C 6 s/month at 25 °C |
| Checks | Program memory on each power up |
| [Us] rated supply voltage | 24 V DC |
| Supply voltage limits | 19.2...30 V |
| Maximum supply current | 100 mA (without extension) |
| Power dissipation in W | 6 W without extension |
| Reverse polarity protection | With |
| Discrete input number | 12 conforming to EN/IEC 61131-2 type 1 |
| Discrete input type | Resistive |
| Discrete input voltage | 24 V DC |
| Discrete input current | 4 mA |
| Counting frequency | 1 kHz for discrete input |
| Voltage state 1 guaranteed | ≥ 15 V for I1...IA and IH...IR discrete input circuit ≥ 15 V for IB...IG used as discrete input circuit |
| Voltage state 0 guaranteed | ≤ 5 V for I1...IA and IH...IR discrete input circuit ≤ 5 V for IB...IG used as discrete input circuit |
| Current state 1 guaranteed | ≥ 1.2 mA (IB...IG used as discrete input circuit) ≥ 2.2 mA (I1...IA and IH...IR discrete input circuit) |
| Current state 0 guaranteed | ≤ 0.5 mA (IB...IG used as discrete input circuit) ≤ 0.75 mA (I1...IA and IH...IR discrete input circuit) |
| Input compatibility | 3-wire proximity sensors PNP for discrete input |
| Analogue input number | 6 |
| Analogue input type | Common mode |
| Analogue input range | 0...10 V 0...24 V |
| Temperature probe type | NTC 10k at 25 °C NTC 1000k at 25 °C KTY81 210/220/221/222/250 Pt 500 |
| Maximum permissible voltage | 30 V for analogue input circuit |
| Analogue input resolution | 8 bits |

| | |
|--|--|
| LSB value | 39 mV for analogue input circuit |
| Conversion time | Smart relay cycle time for analogue input circuit |
| Conversion error | +/- 5 % at 25 °C for analogue input circuit +/- 6.2 % at 55 °C for analogue input circuit |
| Repeat accuracy | +/- 2 % at 55 °C for analogue input circuit |
| Operating distance | 10 m between stations, with screened cable (sensor not isolated) for analogue input circuit |
| Input impedance | 12 kOhm for IB...IG used as analogue input circuit 12 kOhm for IB...IG used as discrete input circuit 7.4 kOhm for I1...IA and IH...IR discrete input circuit |
| Number of outputs | 8 relay |
| Output voltage limits | 24...250 V AC (relay output) 5...30 V DC (relay output) |
| Contacts type and composition | NO for relay output |
| Output thermal current | 8 A for all 8 outputs for relay output |
| Electrical durability | AC-12: 500000 cycles at 230 V, 1.5 A for relay output conforming to EN/IEC 60947-5-1 AC-15: 500000 cycles at 230 V, 0.9 A for relay output conforming to EN/IEC 60947-5-1 DC-12: 500000 cycles at 24 V, 1.5 A for relay output conforming to EN/IEC 60947-5-1 DC-13: 500000 cycles at 24 V, 0.6 A for relay output conforming to EN/IEC 60947-5-1 |
| Switching capacity in mA | >= 10 mA at 12 V (relay output) |
| Operating rate in Hz | 0.1 Hz (at Ie) for relay output 10 Hz (no load) for relay output |
| Mechanical durability | 10000000 cycles for relay output |
| [Uimp] rated impulse withstand voltage | 4 kV conforming to EN/IEC 60947-1 and EN/IEC 60664-1 |
| Clock | With |
| Response time | 10 ms (from state 0 to state 1) for relay output 5 ms (from state 1 to state 0) for relay output |
| Connections - terminals | Screw terminals, 1 x 0.2...1 x 2.5 mm ² (AWG 25...AWG 14) semi-solid Screw terminals, 1 x 0.2...1 x 2.5 mm ² (AWG 25...AWG 14) solid Screw terminals, 1 x 0.25...1 x 2.5 mm ² (AWG 24...AWG 14) flexible with cable end Screw terminals, 2 x 0.2...2 x 1.5 mm ² (AWG 24...AWG 16) solid Screw terminals, 2 x 0.25...2 x 0.75 mm ² (AWG 24...AWG 18) flexible with cable end |
| Tightening torque | 0.5 N.m |
| Overvoltage category | III conforming to EN/IEC 60664-1 |
| Product weight | 0.35 kg |

Environment

| | |
|--------------------------------|---|
| Immunity to microbreaks | 1 ms |
| Product certifications | C-Tick UL GL CSA GOST |
| Standards | EN/IEC 61000-4-4 level 3 EN/IEC 61000-4-6 level 3 EN/IEC 61000-4-3 EN/IEC 61000-4-12 EN/IEC 61000-4-5 EN/IEC 61000-4-11 EN/IEC 61000-4-2 level 3 EN/IEC 60068-2-27 Ea EN/IEC 60068-2-6 Fc |
| IP degree of protection | IP20 (terminal block) conforming to IEC 60529 IP40 (front panel) conforming to IEC 60529 |
| Environmental characteristic | EMC directive conforming to EN/IEC 61000-6-2 EMC directive conforming to EN/IEC 61000-6-3 EMC directive conforming to EN/IEC 61000-6-4 EMC directive conforming to EN/IEC 61131-2 zone B Low voltage directive conforming to EN/IEC 61131-2 |
| Disturbance radiated/conducted | Class B conforming to EN 55022-11 group 1 |
| Pollution degree | 2 conforming to EN/IEC 61131-2 |

| | |
|---------------------------------------|--|
| Ambient air temperature for operation | -20...40 °C in non-ventilated enclosure conforming to IEC 60068-2-1 and IEC 60068-2-2 -20...55 °C conforming to IEC 60068-2-1 and IEC 60068-2-2 |
| Ambient air temperature for storage | -40...70 °C |
| Operating altitude | 2000 m |
| Maximum altitude transport | 3048 m |
| Relative humidity | 95 % without condensation or dripping water |

Packing Units

| | |
|------------------------------|----------|
| Unit Type of Package 1 | PCE |
| Number of Units in Package 1 | 1 |
| Package 1 Height | 6.5 cm |
| Package 1 Width | 13.3 cm |
| Package 1 Length | 9.9 cm |
| Package 1 Weight | 327.0 g |
| Unit Type of Package 2 | S03 |
| Number of Units in Package 2 | 20 |
| Package 2 Height | 30.0 cm |
| Package 2 Width | 30.0 cm |
| Package 2 Length | 40.0 cm |
| Package 2 Weight | 7.064 kg |

Offer Sustainability

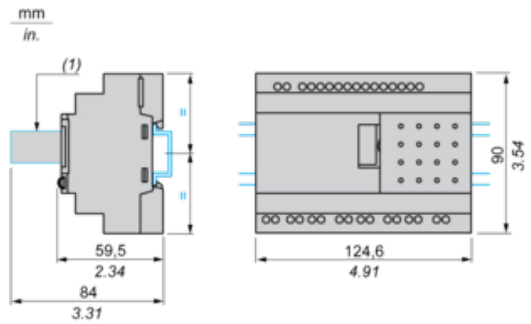
| | |
|----------------------------|---|
| Sustainable offer status | Green Premium product |
| REACH Regulation | REACH Declaration |
| EU RoHS Directive | Pro-active compliance (Product out of EU RoHS legal scope) EU RoHS Declaration |
| Mercury free | Yes |
| China RoHS Regulation | China RoHS Declaration |
| RoHS exemption information | Yes |
| Environmental Disclosure | Product Environmental Profile |
| Circularity Profile | End Of Life Information |
| WEEE | The product must be disposed on European Union markets following specific waste collection and never end up in rubbish bins |
| PVC free | Yes |
| California proposition 65 | WARNING: This product can expose you to chemicals including: Lead and lead compounds, which is known to the State of California to cause cancer and birth defects or other reproductive harm. For more information go to www.P65Warnings.ca.gov |

Contractual warranty

| | |
|----------|-----------|
| Warranty | 18 months |
|----------|-----------|

Compact and Modular Smart Relays

Mounting on 35 mm/1.38 in. DIN Rail



(1) With SR2USB01 or SR2BTC01

Screw Fixing (Retractable Lugs)



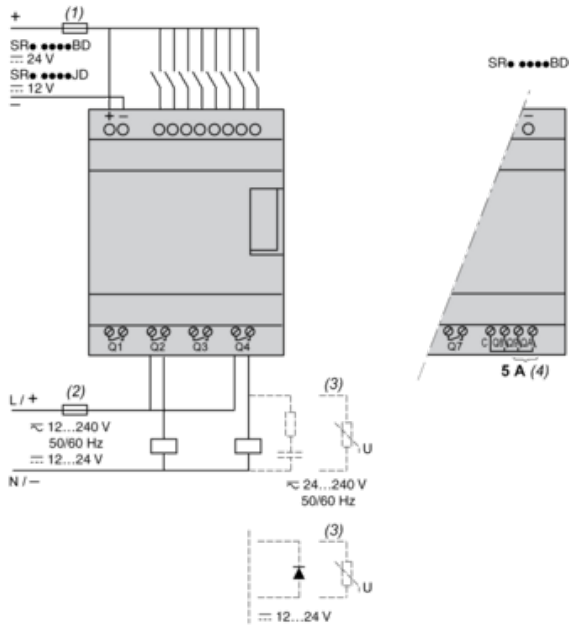
(1) With SR2USB01 or SR2BTC01

Position of Display



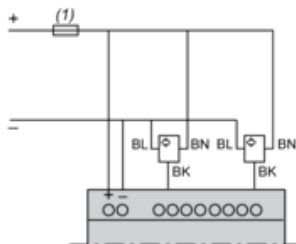
Compact and Modular Smart Relays

Connection of Smart Relays on DC Supply



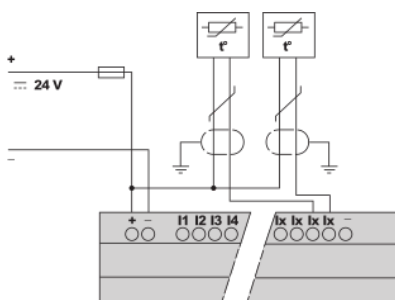
- (1) 1 A quick-blow fuse or circuit-breaker.
- (2) Fuse or circuit-breaker.
- (3) Inductive load.
- (4) Q9 and QA: 5 A (max. current in terminal C: 10 A).

Discrete Input Used for 3-Wire Sensors



- (1) 1 A quick-blow fuse or circuit-breaker.

Connection of Thermistor Input on DC Supply



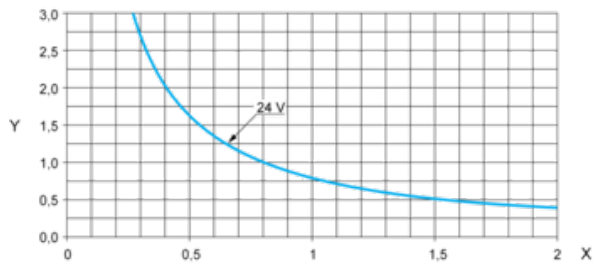
NOTE: Ix = IB...IG

Compact and Modular Smart Relays

Electrical Durability of Relay Outputs

(in millions of operating cycles, conforming to IEC/EN 60947-5-1)

DC-12 (1)

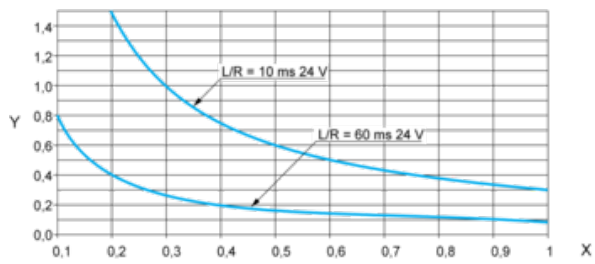


X: Current (A)

Y: Millions of operating cycles

(1) DC-12: control of resistive loads and of solid state loads isolated by opto-coupler, $L/R \leq 1$ ms.

DC-13 (1)



X: Current (A)

Y: Millions of operating cycles

(1) DC-13: switching electromagnets, $L/R \leq 2 \times (U_e \times I_e)$ in ms, U_e : rated operational voltage, I_e : rated operational current (with a protection diode on the load, DC-12 curves must be used with a coefficient of 0.9 applied to the number in millions of operating cycles).