



Datasheet

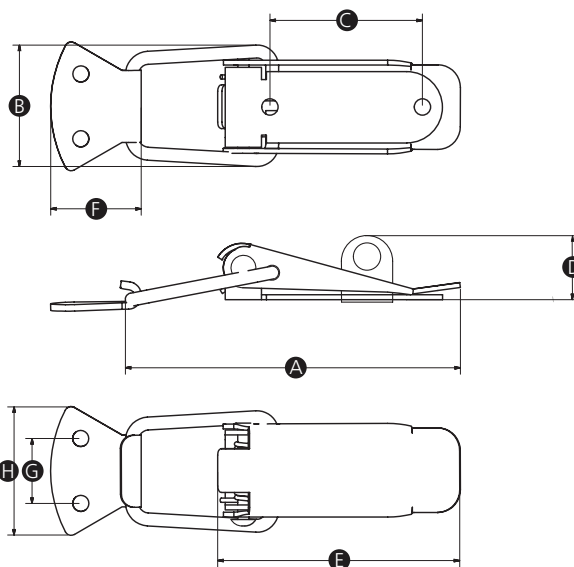
RS PRO Stainless steel toggle latch with hole for lock, 57mm length

Stock number: 1929633

EN



- Stainless steel (304) sprung toggle latch
- With hole for padlock
- Complete with catchplate



Part No.	A	B	C	D	E	F	G	H	Base hole size	Hook hole size	Locking hole size	Max load (N)
1929633	57	23	25	11	44	20	13	25	4	4	4.5	400