



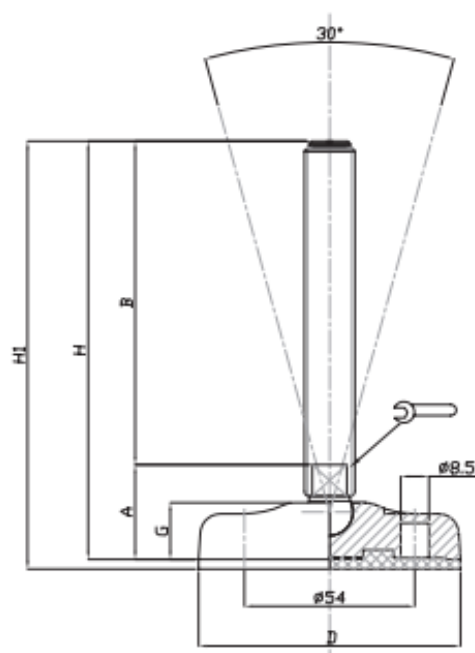
ENGLISH

Stainless Steel Plastic Levelling Feet

The RS Pro Height Adjustable mounts are used for levelling and support in many applications including food processing units, packing systems and conveyor systems.

The Plastic Foot base is made from a black polyamide material, reinforced by fiber glass, along with the Stainless-Steel thread these are often used in food safe and cleanroom applications.

These mounts have 30 degree articulation capabilities.



1965337	Plastic Foot with 30 Degree Articulation	30	100	83	M12	18	130	Stainless Steel 304	1000
1965340	Plastic Foot with 30 Degree Articulation	30	100	83	M16	18	130	Stainless Steel 304	1600
1965343	Plastic Foot with 30 Degree Articulation	30	100	83	M20	18	130	Stainless Steel 304	1800