

## Features

- Illuminated red rocker switch
- Non latching
- On-Off action
- SPST contact configuration
- Polycarbonate button
- Lamp – Tungsten

## RS PRO EPDM Rubber Black Lip Gasket

RS Stock No.: 027-3003



RS PRO Professionally Approved Products bring to you professional quality parts across all product categories. Our product range has been tested by engineers and provides a comparable quality to the leading brands without paying a premium price.

## Product Description

The RS PRO illuminated rocker switch features a black body with red illumination when in the on position and Silver plated Copper terminals for easy panel mounting in a 20mm panel cut out.

## General Specifications

|                   |                                |
|-------------------|--------------------------------|
| Rating            | 12VDC 10A                      |
| Colour            | Black body/Red illuminated     |
| Switch action     | SP On-off                      |
| Terminal material | Copper alloy SN or AG plated   |
| Housing material  | Nylon #66 UL 94V-2             |
| Rocker material   | PC UL94HB                      |
| Contact material  | AgNi (15) Alloy                |
| Lamp              | Tungsten                       |
| Also available    | Double pole versions available |

## Electrical Specifications

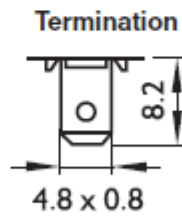
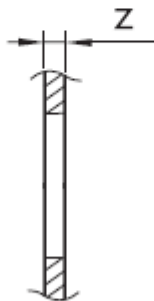
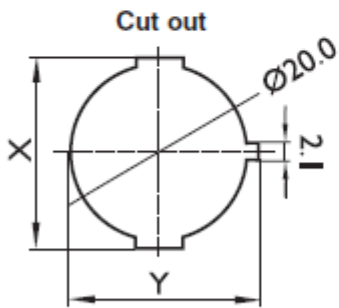
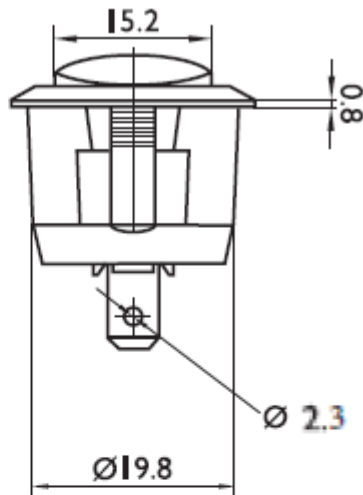
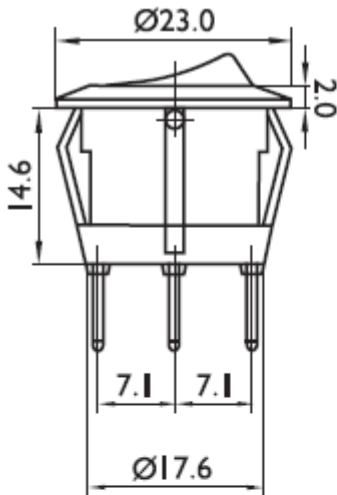
|        |           |
|--------|-----------|
| Rating | 12VDC 10A |
|--------|-----------|

## Operation Environment Specifications

|                               |                      |
|-------------------------------|----------------------|
| Maximum contact resistance    | 30M $\Omega$         |
| Minimum insulation resistance | 500VDC 100M $\Omega$ |
| Electrical life               | 10,000 cycles        |
| Lamp life                     | approx. 2,000 hours  |
| Operation force               | 300-600gf            |
| Operating temperature         | -25°C~125°C          |

## Approvals

|            |                |
|------------|----------------|
| Compliance | ROHS compliant |
| Approval   | VDE, UL        |



| Z         | Y    | X    |
|-----------|------|------|
| 0.75-1.25 | 20.8 | 20.2 |
| 1.25-2.0  | 20.8 | 20.4 |
| 2.0-3.0   | 20.8 | 20.6 |

