

Main

| | |
|---------------------------|--------------------------|
| Range of product | Easy Harmony XA2 |
| Product or component type | Complete selector switch |
| Device short name | XA2 |
| Bezel material | Plastic |
| Mounting diameter | 22.5 mm |

Complementary

| | |
|---|--|
| Sale per indivisible quantity | 1 |
| Fixing center | >= 30 x 40 mm (panel) - thickness: 1...5 mm |
| Fixing mode | Fixing nut: 2...2.4 N.m |
| Shape of signaling unit head | Round |
| Type of operator | Stay put |
| Operator profile | Black long handle |
| Operator position information | 2 positions |
| Contacts type and composition | 1 NO |
| Contact operation | Slow-break |
| Mechanical durability | 300000 cycles |
| Connections - terminals | , clamping capacity: <= 2 x 1.5 mm ² , clamping capacity: <= 1 x 2.5 mm ² , clamping capacity: >= 1 x 0.5 mm ² Faston terminals, connection size: 6.3 mm |
| Tightening torque | 0.8 N.m |
| Short-circuit protection | 10 A fuse type gL conforming to IEC 60269-1 |
| [Ith] conventional free air thermal current | 10 A (screw-clamp terminals) |
| [Ui] rated insulation voltage | 600 V conforming to EN 60947-1 |
| [Uimp] rated impulse withstand voltage | 6 kV conforming to EN 60947-1 |
| [Ie] rated operational current | 3 A at 240 V, AC-15, A600 0.27 A at 250 V, DC-13, Q600 |
| Electrical durability | 500000 Cycles, AC-15, 3 A at 230 V, operating rate <60 cyc/mn, load factor: 0.5 conforming to IEC 60947-5-4 500000 cycles, DC-13, 0.2 A at 110 V, operating rate <60 cyc/mn, load factor: 0.5 conforming to IEC 60947-5-4 |
| Electrical reliability | $\Lambda < 10\exp(-8)$ at 24 V |
| Width | 30 mm |
| Height | 48.5 mm |
| Depth | 68.2 mm |
| Product weight | 0.041 kg |

Environment

| | |
|---------------------------------------|--|
| Protective treatment | TC |
| Ambient air temperature for storage | -40...70 °C |
| Ambient air temperature for operation | -25...55 °C |
| Overvoltage category | Class I conforming to IEC 536 |
| IP degree of protection | IP65 conforming to IEC 60529 |
| IK degree of protection | IK06 conforming to IEC 60529 |
| Standards | IEC 60947-5-1 GB 14048.5 IEC 60947-1 GB 14048.1 |
| Product certifications | CE CCC |
| Vibration resistance | 10 gn (f= 40...500 Hz) conforming to IEC 60068-2-6 |
| Shock resistance | 120 gn (duration = 11 ms) for half sine wave acceleration conforming to IEC 60068-2-27 |

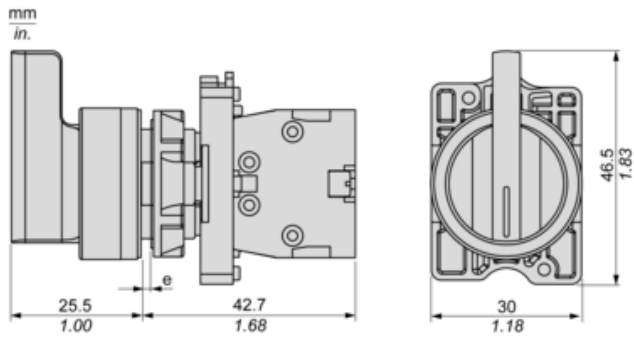
Packing Units

| | |
|------------------------------|----------|
| Unit Type of Package 1 | PCE |
| Number of Units in Package 1 | 1 |
| Package 1 Height | 3.0 cm |
| Package 1 Width | 5.0 cm |
| Package 1 Length | 7.0 cm |
| Package 1 Weight | 55.0 g |
| Unit Type of Package 2 | S02 |
| Number of Units in Package 2 | 100 |
| Package 2 Height | 15.0 cm |
| Package 2 Width | 30.0 cm |
| Package 2 Length | 40.0 cm |
| Package 2 Weight | 5.55 kg |
| Unit Type of Package 3 | PAL |
| Number of Units in Package 3 | 2000 |
| Package 3 Height | 60.0 cm |
| Package 3 Width | 80.0 cm |
| Package 3 Length | 90.0 cm |
| Package 3 Weight | 110.2 kg |

Offer Sustainability

| | |
|----------------------------|---|
| Sustainable offer status | Green Premium product |
| REACH Regulation | REACH Declaration |
| REACH free of SVHC | Yes |
| EU RoHS Directive | Pro-active compliance (Product out of EU RoHS legal scope) EU RoHS Declaration |
| Mercury free | Yes |
| China RoHS Regulation | China RoHS Declaration |
| RoHS exemption information | Yes |
| Environmental Disclosure | Product Environmental Profile |
| Circularity Profile | End Of Life Information |
| WEEE | The product must be disposed on European Union markets following specific waste collection and never end up in rubbish bins |
| California proposition 65 | WARNING: This product can expose you to chemicals including: Lead and lead compounds, which is known to the State of California to cause cancer and birth defects or other reproductive harm. For more information go to www.P65Warnings.ca.gov |

Dimensions



(e) Clamping thickness: 1 to 6 mm / 0.04 to 0.24 in.

Panel Cut-out for Pushbuttons, Switches and Pilot Lights (Finished Holes, Ready for Installation)

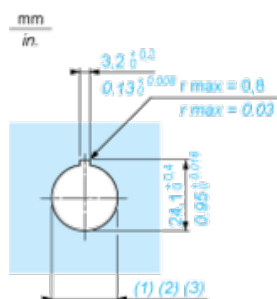
Connection by Screw Clamp Terminals



- (1) Diameter on finished panel or support
- (2) For selector switches and Emergency stop buttons, use of an anti-rotation plate type ZB5AZ902 is recommended.
- (3) $\varnothing 22.5$ mm recommended ($\varnothing 22.3_0^{+0.4}$) / $\varnothing 0.89$ in. recommended ($\varnothing 0.88$ in. $^{+0.016}$)

| Connections | a in mm | a in in. | b in mm | b in in. |
|------------------------------------|---------|----------|---------|----------|
| By screw clamp terminals connector | 40 | 1.57 | 30 | 1.18 |
| By Faston connectors | 45 | 1.77 | 32 | 1.26 |

Detail of Lug Recess



- (1) Diameter on finished panel or support
- (2) For selector switches and Emergency stop buttons, use of an anti-rotation plate type ZB5AZ902 is recommended.
- (3) $\varnothing 22.5$ mm recommended ($\varnothing 22.3_0^{+0.4}$) / $\varnothing 0.89$ in. recommended ($\varnothing 0.88$ in. $^{+0.016}$)