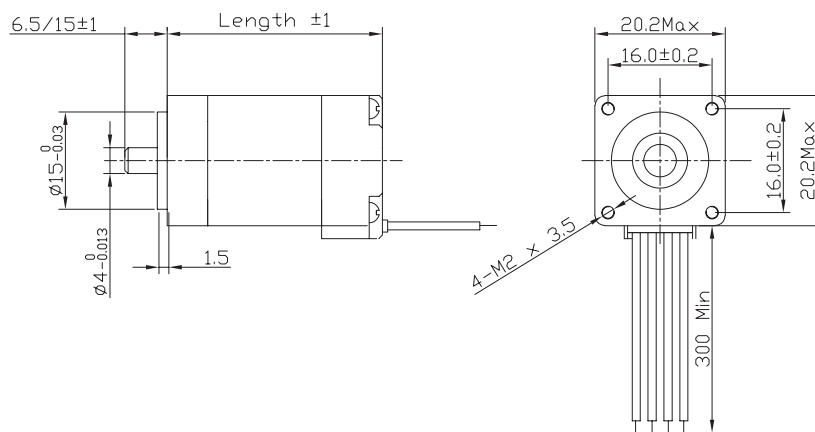


Datasheet



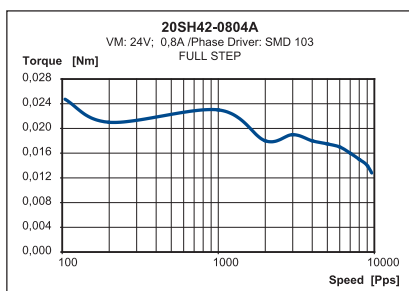
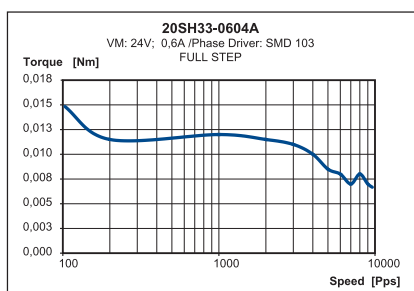
Specification

| Model | | 20SH33-0604A | 20SH42-0804A |
|--------------------|-------------------|--------------|--------------|
| 1 RATED VOLTAGE | V | 3,96 | 4,32 |
| 2 CURRENT/PHASE | A | 0,6 | 0,8 |
| 3 RESISTANCE/PHASE | Ω | 6,5 | 5,4 |
| 4 INDUCTANCE/PHASE | MH | 1,7 | 1,5 |
| 5 HOLDING TORQUE | NM | 0,0175 | 0,03 |
| 6 ROTOR INERTIA | G-CM ² | 2 | 3,6 |
| 7 WEIGHT | KG | 0,06 | 0,08 |
| 8 NUMBER OF LEADS | N° | 4 | 4 |
| 9 LENGHT | MM | 33 | 42 |

Characteristics

| | |
|-----------------------|--------------------------------------|
| STEP ANGLE | 1,8° |
| STEP ANGLE ACCURACY | ± 5% |
| INSULATION CLASS | B |
| AMBIENT TEMPERATURE | -20°C +50°C |
| TEMP. RISE | 80°C MAX (RATED CURRENT, 2 PHASE ON) |
| INSULATION RESISTANCE | 100 M OHM MIN. 500 VDC |
| DIELECTRIC STRENGTH | 500 VAC FOR ONE MINUTE |
| SHAFT RADIAL PLAY | 0,02 MAX (450 G LOAD) |
| SHAFT AXIAL PLAY | 0,08 MAX. (450 G LOAD) |
| MAX RADIAL FORCE | 28 N (20 MM FROM FRONT FLANGE) |
| MAX AXIAL FORCE | 10 N |

Speed vs. Torque Characteristics



Connection

| LEAD N° | COLOR | GAUGE | FUNCTION |
|-----------------------|--------|--------------|-------------|
| 1 | BLACK | UL1430 AWG28 | PHASE A |
| 2 | GREEN | UL1430 AWG28 | PHASE A- |
| 3 | RED | UL1430 AWG28 | PHASE B |
| 4 | BLUE | UL1430 AWG28 | PHASE B- |
| UNIPOLAR MOTOR | | | |
| 5 | YELLOW | UL1430 AWG28 | COM PHASE A |
| 6 | WHITE | UL1430 AWG28 | COM PHASE B |