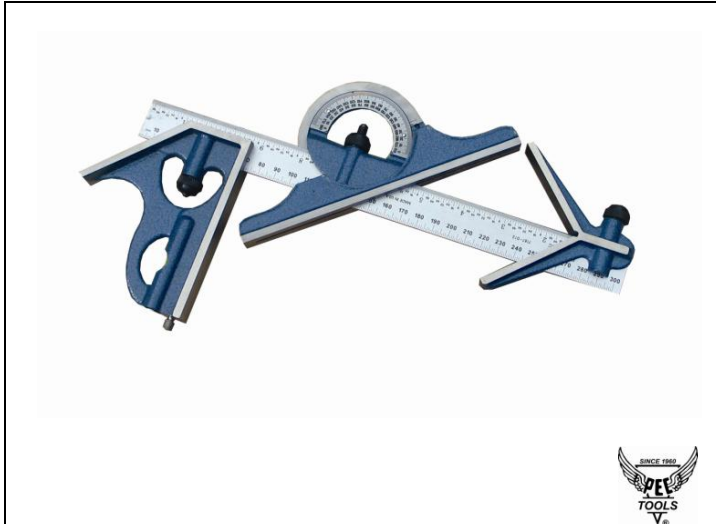


Datasheet

4 Piece Sets



Set consists of:

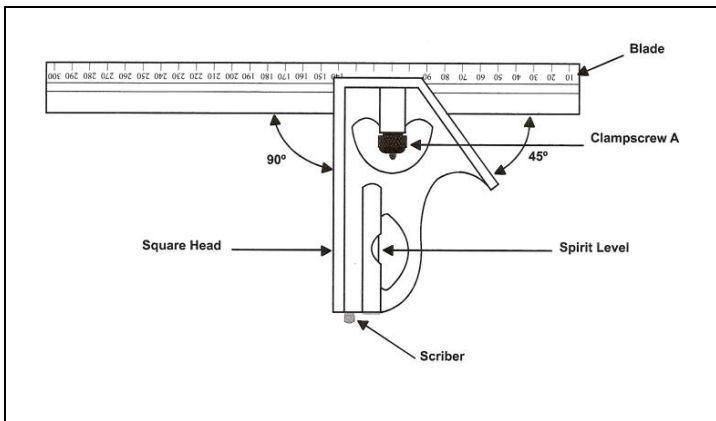
- Square Head: Hardened Steel with 90 & 45 ° faces includes Scribe and Spirit Level
- Protractor Head: Scale Range 180° also includes Spirit Level
- Centre Head: Hardened Steel, Capacity 105mm/4-1/4"
- Blades: Hardened and Tempered Steel, Satin Chrome
- All non ground surfaces have an enamelled blue finish
- U.S. Federal Specification: GGG-S-656E/29 Jan 1966
- Supplied in a fitted blow moulded case



4 Piece Sets

RS Code	Manufacturers Code	Blade Length	Blade Graduations Front Face	Blade Graduations Back Face
249-3987	7127-012H	300mm / 12"	32nds & 0.5mm	64ths & 1.0mm

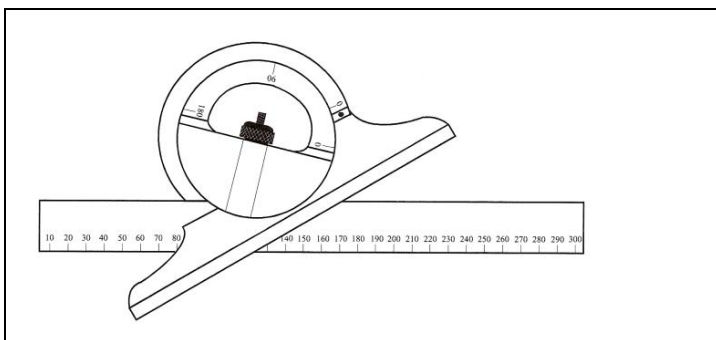
Square Head



Features:

- 90° and 45° angles
- Integral Spirit Level
- Scriber
- Working surfaces hardened and precision ground
- Blue stove enamel finish
- Squareness Tolerance: $\pm 0.004''$
- Hardness: HRC 40 plus

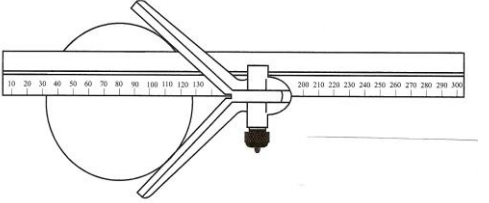
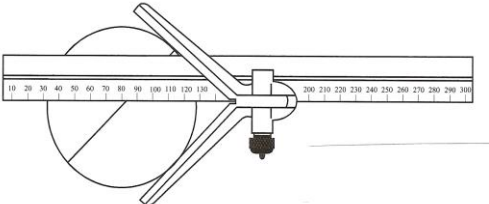
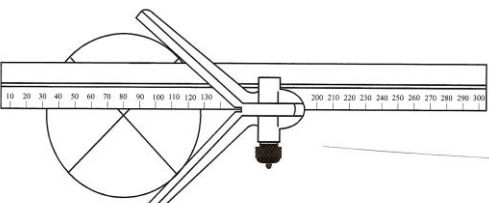
Protractor Head



Features:

- Protractor graduated 0 - 180° in both directions
- Integral Spirit Level
- Blue stove enamel finish
- Angle Accuracy: $\pm 1/2^\circ$

Centre Head

	<p>Provides centre position on diameters up to 105mm / 4 1/4"</p> <p>Working surfaces hardened and precision ground Blue stove enamel finish</p> <p>Instructions: Scribe first line</p>
	<p>Turn through 120° and scribe second line</p>
	<p>Turn through 120° and scribe third line</p> <p>Centre punch the intersection of the 3 lines or in the centre of the small triangle produced</p>